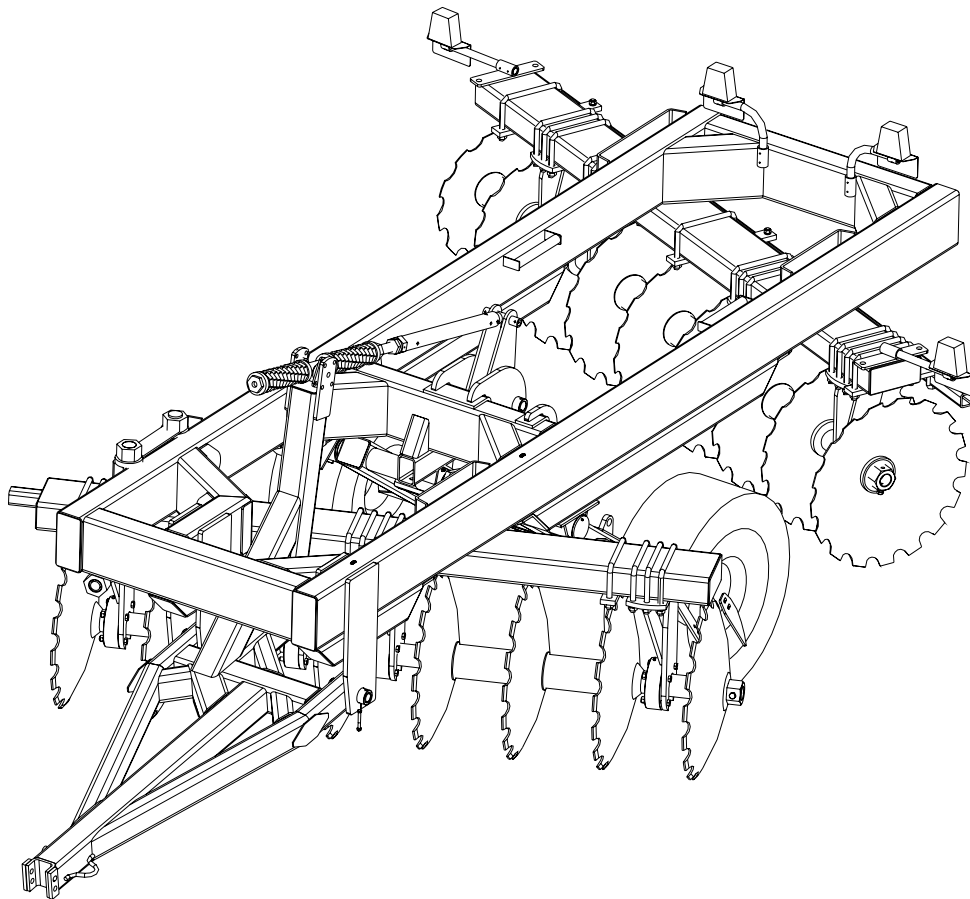




Y2000



**P
A
R
T
S

M
A
N
U
A
L**

WISHEK MFG, LLC

WARRANTY

Wishek's products are warranted to the original non-commercial purchaser to be free from defects in material and workmanship for a minimum period of twelve (12) months from the original date of purchase.

Commercial Use: Warranty for commercial, rental or custom use of any Wishek product is limited to 90 days, parts and labor.

We warrant products sold by us to be in accordance with our published specifications or those specifications agreed to by us in writing at time of sale. Our obligation and liability under this warranty is expressly limited to repairing, or replacing, at our option, within 12 months after date of retail delivery, any product not meeting the specifications. ***We make no other warranty, express or implied and make no warranty of merchantability or of fitness for any particular purpose.*** If requested by us, products or parts for which a warranty claim is made are to be returned transportation prepaid to our factory. Any improper use, operation beyond rated capacity, substitution of parts not approved by us, or any alteration or repair by others in such manner as in our judgment affects the product materially and adversely shall void this warranty. ***No employee or representative is authorized to change this warranty in any way or grant any other warranty.***

Wishek reserves the right to make improvement changes on any of our products without notice.

When warranty limited or not applicable: Warranty on hydraulic hoses, hydraulic cylinders, hubs, spindles, engines, valves, pumps or other trade accessories are limited to the warranties made by the respective manufactures of these components. Rubber tires and tubes are warranted directly by the respective tire manufacturer only, and not by Wishek.

This warranty shall not be interpreted to render Wishek liable for injury or damages of any kind or nature to person or property. This warranty does not include claims for, or extend to the loss or damage of crops, loss because of delay in seeding/planting or harvesting, or any expense or loss incurred for labor, substitute machinery, rental, and transportation expense or for any other reason.

A Warranty Validation and Delivery Report Form must be filled out and received by Wishek to initiate the warranty coverage.

WARRANTY CLAIMS PROCEDURE

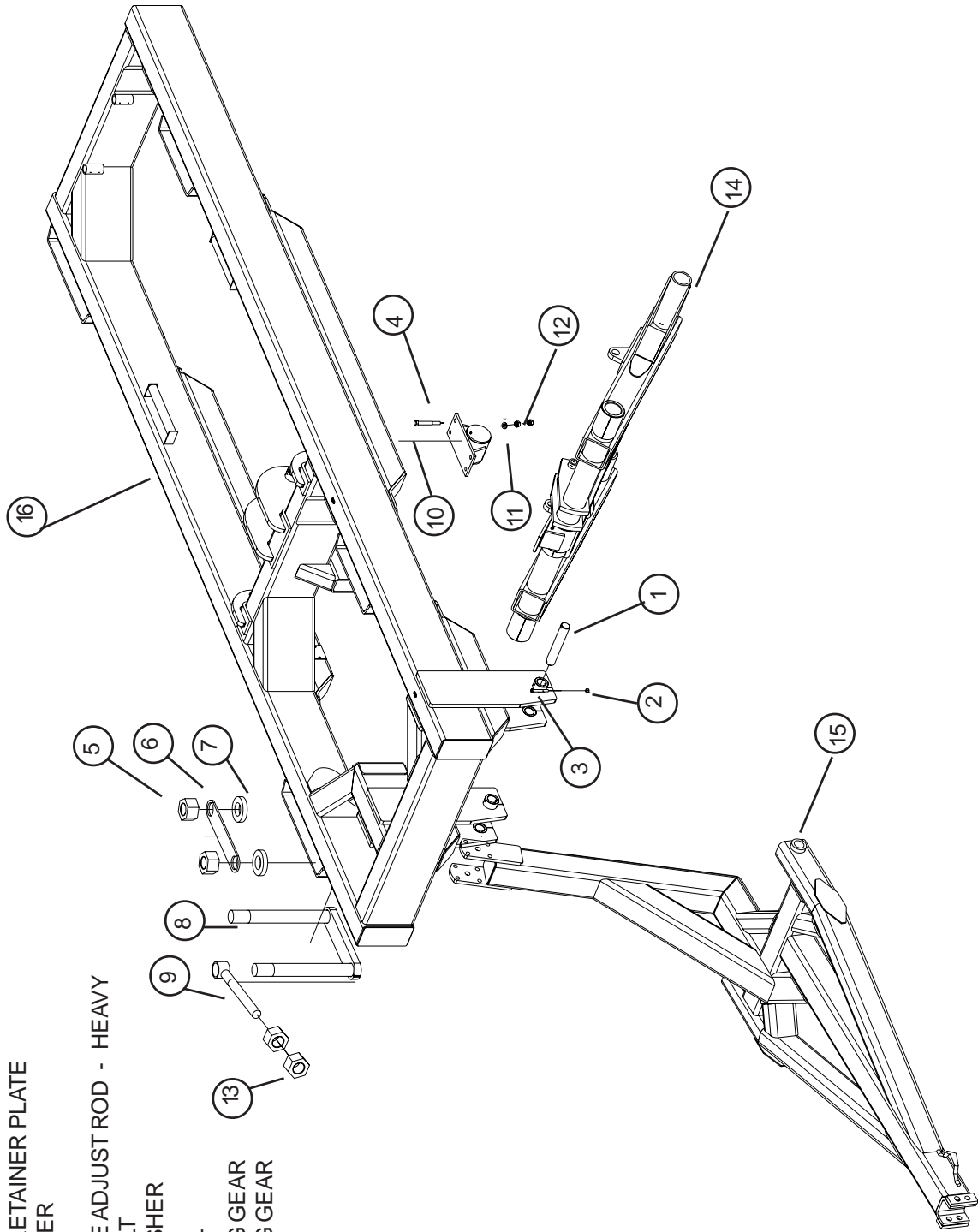
1. The warranty form must be returned to Wishek within thirty (30) working days from the repair date.
2. Parts returned to Wishek without authorization will be refused. The parts must be retained at the dealership for ninety (90) days after the claim has been filed. If the Service Department would like to inspect the parts, a packing slip will be mailed to the dealer. The packing slip must be returned with the parts. The parts must be returned prepaid within thirty (30) days of receiving authorization. After the parts are inspected and warranty is verified, credit for the return freight will be issued to the dealer.
3. Parts that will be scrapped at the dealership will be inspected by a Wishek Sales Representative, District Sales Manager or Service Representative within the ninety (90) day retaining period.

CONTENTS

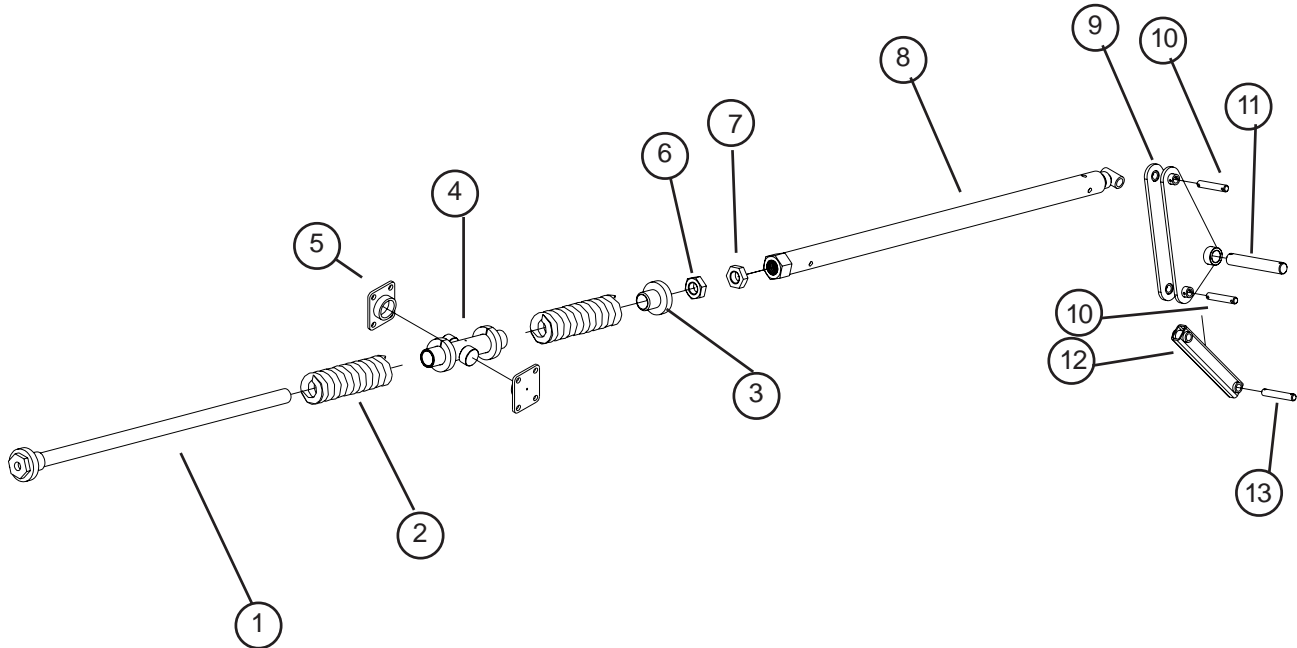
AXLE (RUNNING GEAR)	4
BLADES	8-9
BEARINGS	8-9
BEARING STANDARD SCRAPER	12
CYLINDER, LIFT	13
DECALS	19
DEPTH CONTROL	15
FRAME ITEMS	4
GANG	8-10
GANG ATTACHING PARTS	4
GANG SHAFT	10
HITCH	4
HITCH ITEMS	6
HUBS AND SPINDLES	7
HYDRAULIC HOSES	14
JACKS	6
LEVELING COMPONENTS	5
LIGHT KIT	17
RIMS	16
SCRAPER BARS	10
SCRAPER BAR BRACKET	11
SCRAPERS	11-12
TIRES	16
TRANSPORT LOCKS	15
WRENCHS	6
UTILITY POLE	18

GENERAL FRAME ITEMS

ITEM PART NO.	DESCRIPTION
1	107434 HITCH ATTACH PIN - 2" X 11-1/8"
2	88661 1/2" LOCK NUT
3	88507 BOLT - 1/2NC X 3-1/2"
4	109899 4 HOLE RUNNING GEAR ENDCAP ASSY
5	106803 2-3/4"-NC HEX NUT
6	105914 U-BOLT TOP RETAINER PLATE
7	107433 U-BOLT WASHER
8	105913 U-BOLT WELD
9	107204 GANG AND LGE ADJUST ROD - HEAVY
10	88404 3/4" X 2-1/2" BOLT
11	88130 3/4" LOCKWASHER
12	88110 3/4" NUT
13	1506 2" NC HEX NUT
14	106953 10FT RUNNING GEAR
15	109914 16FT RUNNING GEAR
16	350100 10FT HITCH
	350101 16FT HITCH
	109802 10FT FRAME
	351913 16FT FRAME

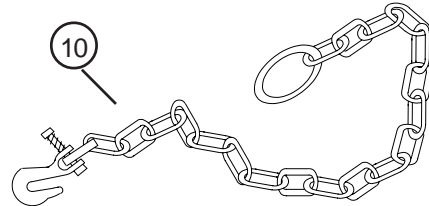
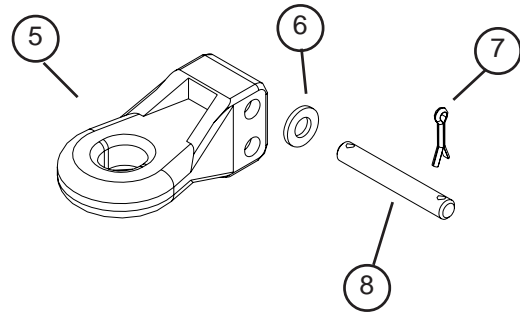
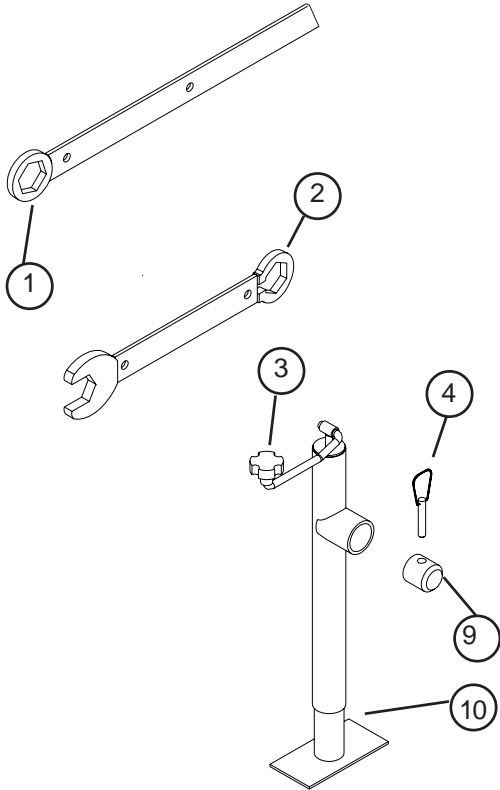


LEVELING COMPONENTS



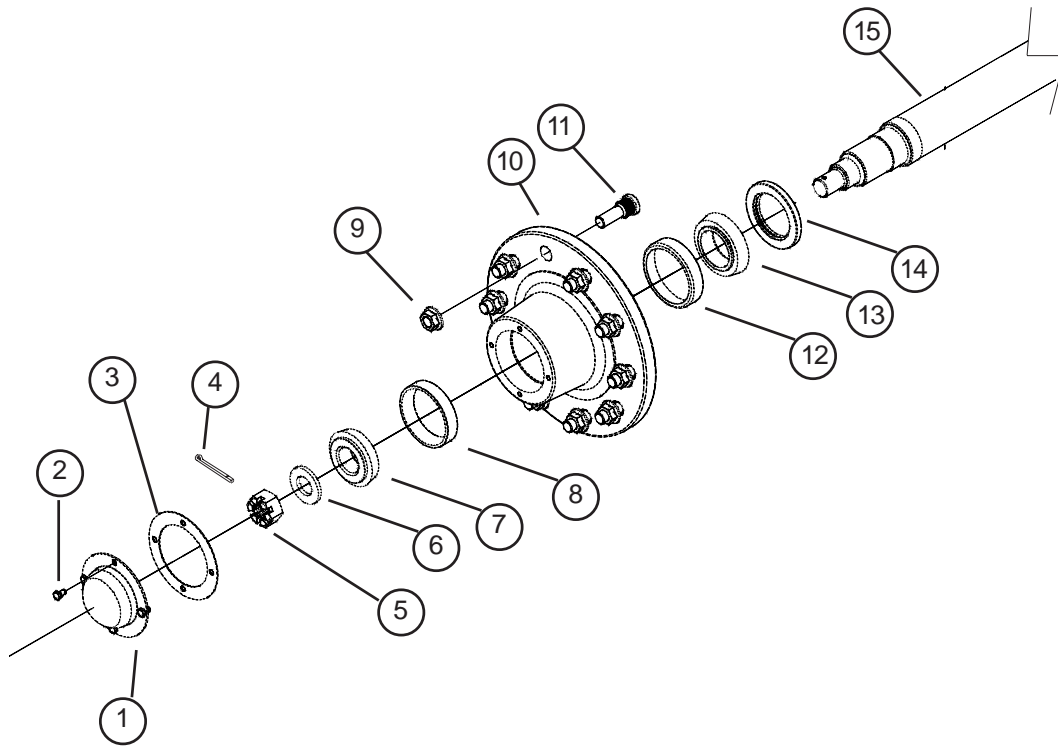
ITEM	PART NO.	DESCRIPTION
	350055	LEVEL ASSY - COMPLETE LESS ITEM 5 (10FT)
	350056	LEVEL ASSY - COMPLETE LESS ITEM 5 (16FT)
1	350023	LEVELING SCREW SHAFT 56"
2	105924	LEVELING SPRING - 16.25" OAL
3	103644	LEVELING SHAFT SPRING WASHER
4	105707	TRUNION
	88550	GREASE FITTING 1/4 PIPE
5	105676	LEVELING FLANGE
6	350068	LEVELING SCREW SPRING COMPRESSION NUT
	89450	9/16 X 1 BOLT
7	89491	2IN JAM NUT
8	350037	LEVELING SCREW ADJUSTMENT TUBE - 36IN (10FT)
	350033	LEVELING SCREW ADJUSTMENT TUBE - 56IN (16FT)
9	350135	BELLCRANK
10	105375	PIN - BELLCRANK TOP AND BOTTOM - 1-1/8" X 6-1/2"
11	105374	PIN - BELLCRANK PIVOT - 2" X 12-5/8"
12	350132	LINK ARM
13	105373	PIN - LINK ARM TO RUNNING GEAR - 1-1/8" X 7-1/4"

HITCH ITEMS



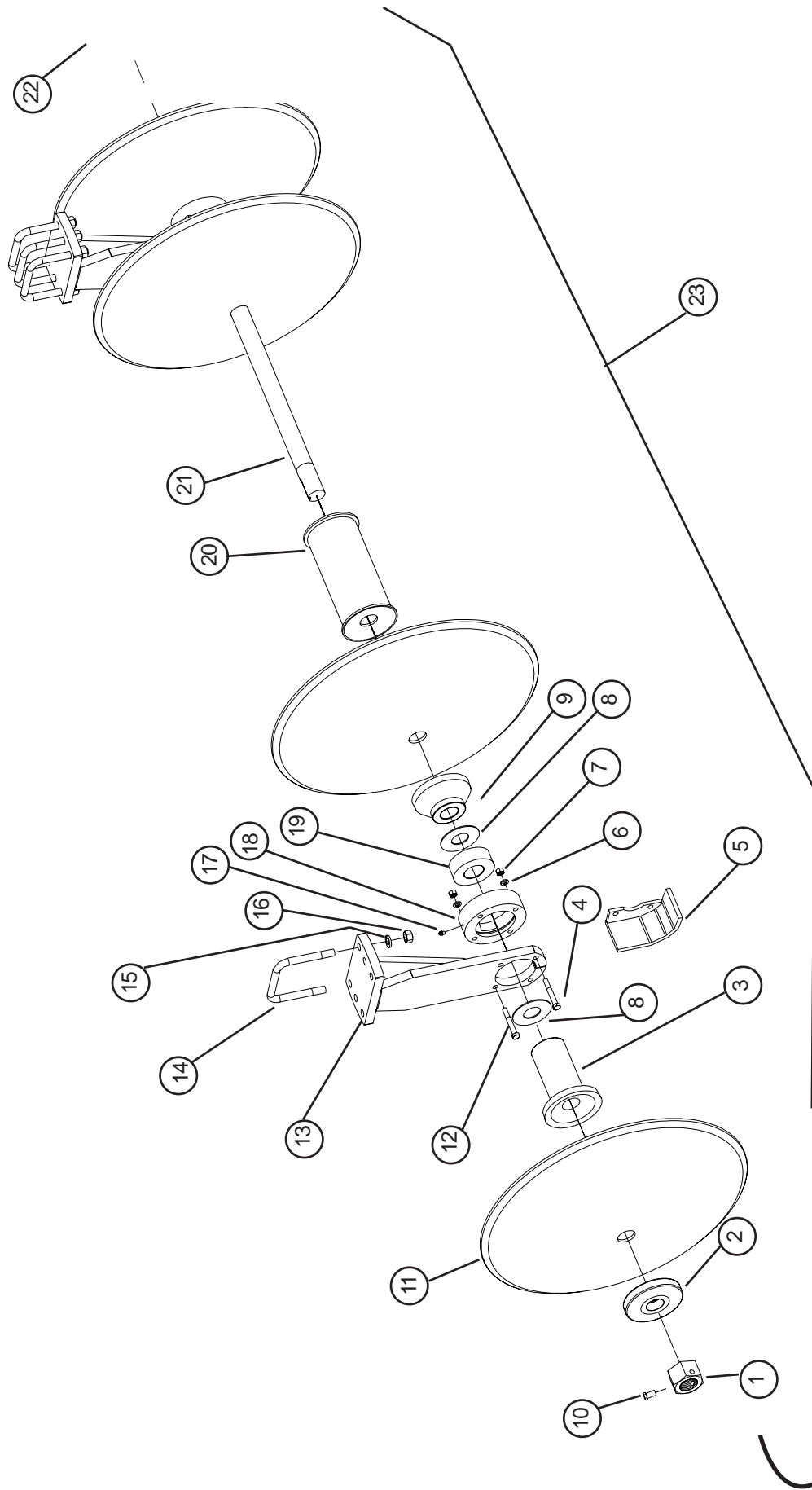
ITEM	PART NO.	DESCRIPTION
1	105385	LONG WRENCH
2	105364	SHORT WRENCH
3	1801	CRANK - HITCH JACK
4	1799	PIN - HITCH JACK
5	107909	HD CAT 4 HITCH
6	108320	WASHER - 1" X 2" X 1/4"
7	88532	3/8" X 2" COTTER PIN
8	108055	PIN - 1" X 8-3/4"
9	1800	HITCH JACK MOUNT WELD-ON
10	1803	HITCH JACK (COMPLETE)(INCL. 4&10)

10 BOLT HUB



ITEM	PART NO.	DESCRIPTION
1	106395	DUST CAP
2	106460	BOLT - DUST CAP - 5/16 X 1/2
3	106459	GASKET
4	88101	COTTER PIN - 1/4 X 2-1/2
5	106396	SPINDLE NUT - 1-1/4 -12NF
6	106397	SPINDLE WASHER - 3/8 X 3
	351826	SPINDLE WASHER - 0.165 X 3
7	106398	OUTER BEARING (460)
8	106399	OUTER CUP (453A)
9	221425	STUD NUT 3/4 - 16NF FLANGE
10	106455	HUB ONLY (INCLUDES 8 & 12)
	106456	COMPLETE HUB
	106457	HUB REPAIR KIT (7,8,12,13,14)
11	106453	STUD BOLT 3/4 - 16NF
12	106400	INNER CUP (39520)
13	106451	INNER BEARING (39585)
14	106452	DUST SEAL (CR30087)
15	106840	SPINDLE - 34" SE (10')
	109508	SPINDLE - 25" SE (16')
16	356683	COMPLETE HUB AND SPINDLE ASSY (10')
	350015	COMPLETE HUB AND SPINDLE ASSY (16')

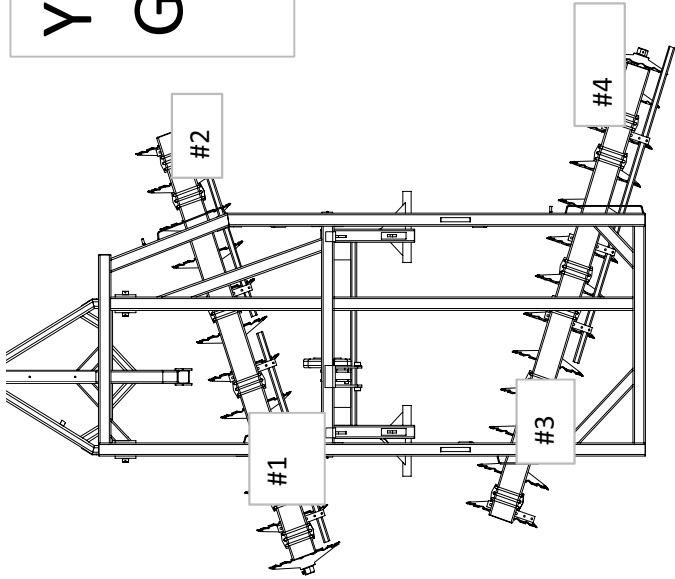
GANG



Torque to at least 4000ft/lbs
Loosen bearing standard u-bolts before tightening
Locate set bolt to gang shaft groove

ITEM	PART NO.	DESCRIPTION
1	105425	2-3/4" - 12NF DRILLED NUTWITH SET SCREW
2	105911	HD END WASHER - CONVEX
3	106927	LONG HALF SPACER
4	88579	BOLT - 3/4" - 5" NC
5	105378	BEARING GUARD REAR
	107977	BEARING GUARD FRONT
6	88130	LOCK WASHER - 3/4"
7	88110	NUT - 3/4" NC
8	105941	BEARING GUARD WASHER 315 BEARING - NOT USED ON NEWER UNITS
9	107978	CAST 1/2 SPACER - 3-5/8"
10	89456	SET BOLT - 3/4 X 1-1/4"
11	105240	1/2" X 36" NOTCHED BLADE
12	88305	BOLT - 3/4" X 5"
	88579	BOLT - 3/4" X 5-1/2" (THROUGH BEARING GUARD)
13	105284	BEARING STANDARD (32/36 BLADE)
14	105260	U-BOLT 1" - 12" X 8-1/2"
15	88617	LOCKWASHER - 1"
16	88125	NUT - 1"NC
17	103588	1/8" NPT 90 DEGREE GREASE FITTING
18	105250	315 BEARING HOUSING
19	105231	315 BEARING - 2.75" ID
20	106928	SPOOL - 1710HD
21		GANG SHAFT - SEE PG. 10
22	105912	HD END WASHER - CONCAVE
	352867	END SPRING WASHER (USED WITH 105912)
23	357442	FRONT 10FT GANG ASSY (WITH 6"X12" TUBE AND SCRAPERS)
	357440	FRONT 8 BLADE SUBASSY (NO TUBE OR SCRAPERS)
	357443	REAR 10FT GANG ASSY (WITH 6"X12" TUBE AND SCRAPERS)
	357441	REAR 8 BLADE SUBASSY (NO TUBE OR SCRAPERS)
	357448	FRONT 16FT GANG ASSY (WITH 6"X12" TUBE AND SCRAPERS)
	357444	FRONT (LEFT) 6 BLADE SUBASSY (NO TUBE OR SCRAPERS)
	357445	FRONT (RIGHT) 6 BLADE SUBASSY (NO TUBE OR SCRAPERS)
	357449	REAR 16FT GANG ASSY (WITH 6"X12" TUBE AND SCRAPERS)
	357446	REAR (LEFT) 6 BLADE SUBASSY (NO TUBE OR SCRAPERS)
	357447	REAR(RIGHT) 6 BLADE SUBASSY (NO TUBE OR SCRAPERS)

Y2000 CONSTRUCTION GANGSHAFT/SCRAPER



SIZE ACCORDING TO SERIAL
NUMBER

S/N - _ _ _ _ _ □ □

Ex. S/N: 115091122

□ □ = SIZE (EX: 22 - 22FT)

NOTE: SOME DISCS HAVE FEWER GANGS.

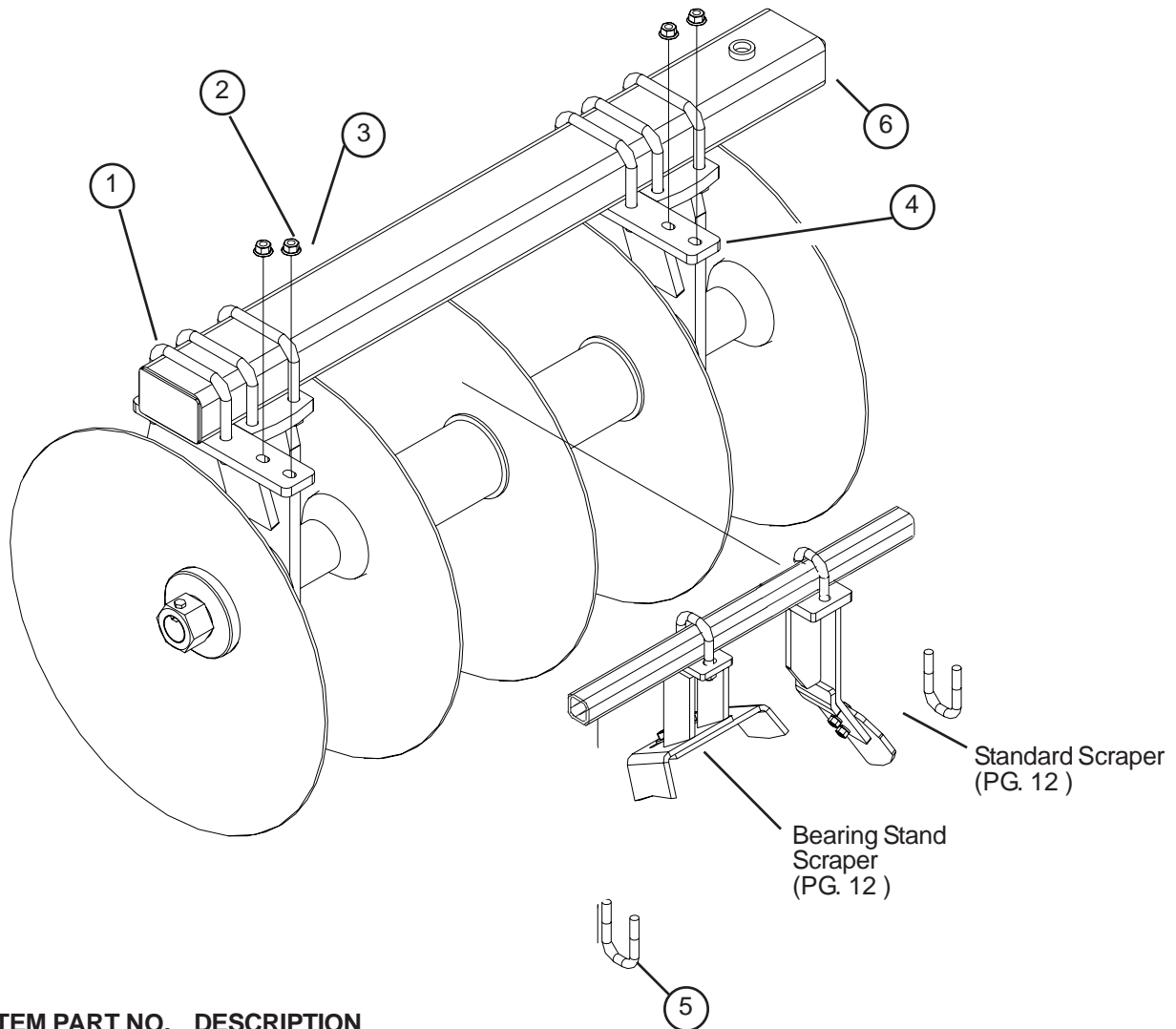
Model: Y2000 CONSTRUCTION GANG SHAFT

Size	# 1	# 2	# 3	# 4
10	W109414-134	---	W109414-134	---
16	W109414-98	W109414-98	W109414-98	W109414-98

Model: Y2000 CONSTRUCTION SCRAPER TUBE

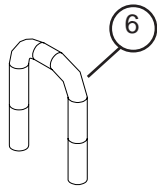
Size	# 1	# 2	# 3	# 4
10	W109410-134	---	W109410-134	---
16	W109410-99	W109410-99	W109410-99	W109410-99

BLADE SCRAPERS



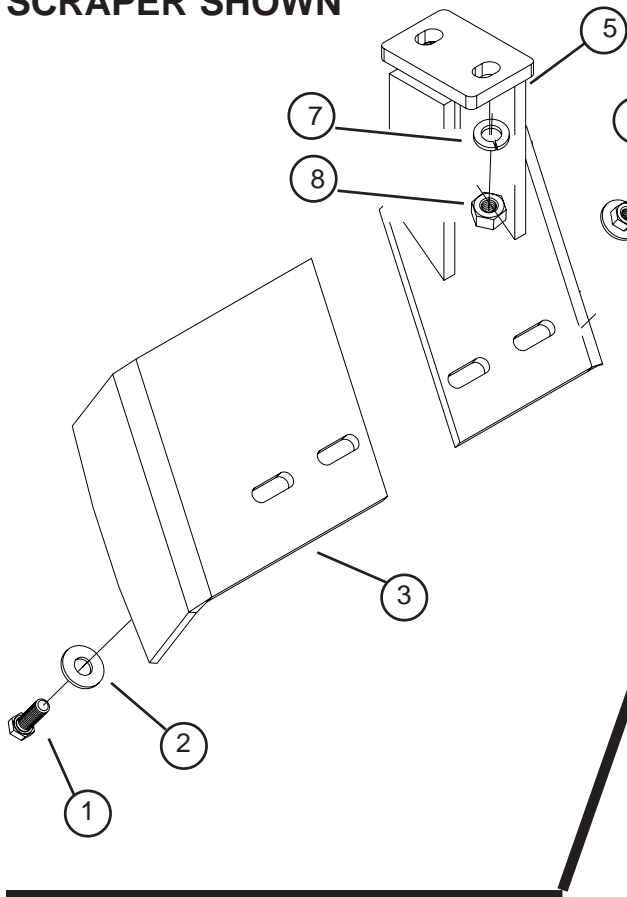
ITEM	PART NO.	DESCRIPTION
1	105260	U-BOLT 1" X 12" X 8-1/2"
	88125	1" HEX NUT
	88617	1" LOCK WASHER
2	88110	3/4" NC HEX NUT
3	88130	3/4" LOCKWASHER
4	105401	HD SCRAPER BAR BRACKET
5	89454	U-CLAMP - 3/4" X 3" X 5"
6	109813	10' FRONT CROSSTUBE
	109814	10' REAR CROSSTUBE
	109795	16' FRONT CROSSTUBE
	109797	16' REAR CROSSTUBE

BLADE SCRAPERS



**NOTE: REAR
SCRAPER SHOWN**

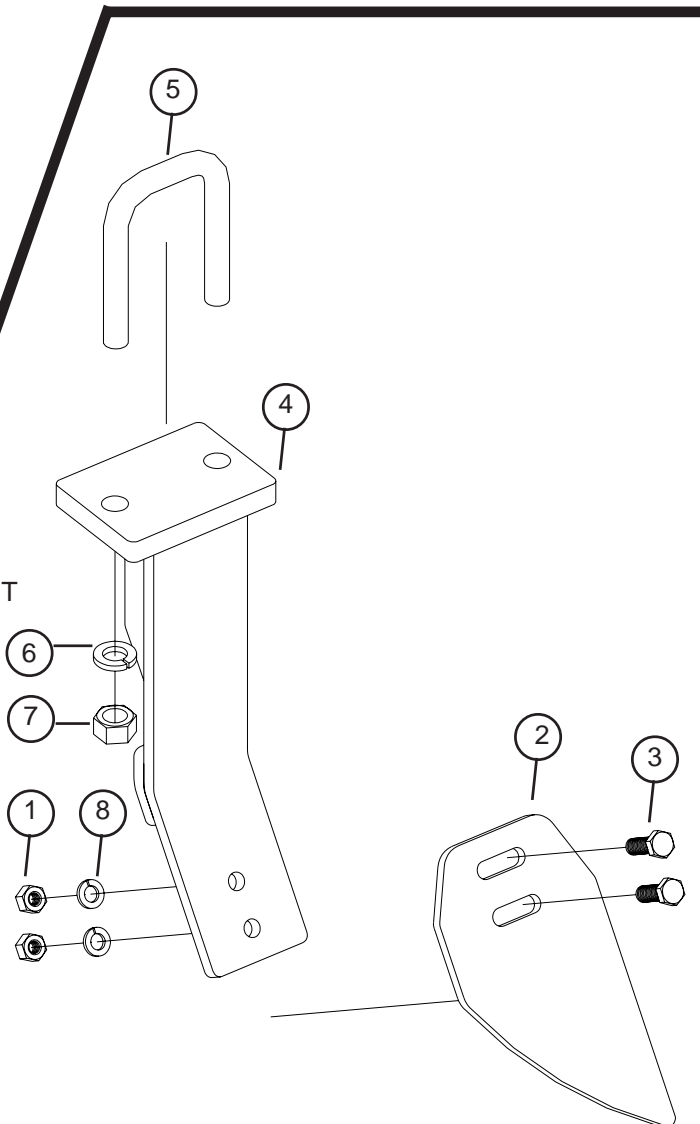
Bearing Standard Scraper



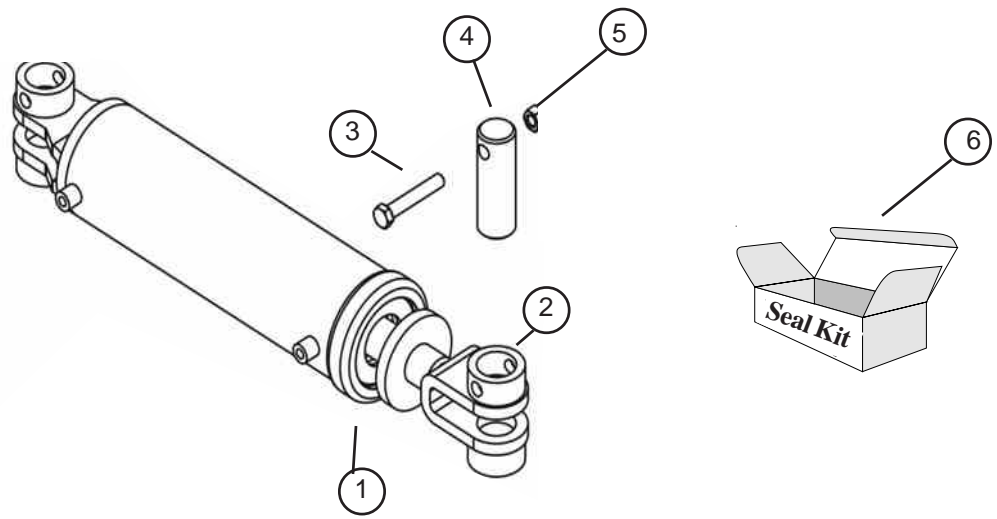
ITEM	PART NO.	DESCRIPTION
	350170	HD BRG SCRAPER ASSY - FRONT
	350171	HD BRG SCRAPER ASSY - REAR
1	88475	BOLT - 1/2"X1-1/2" GR5
2	88347	FLAT WASHER - 1/2"
3	350163	ADJUST PLATE - FRONT
	350165	ADJUST PLATE - REAR
4	89064	FLANGE NUT - 1/2"NC
5	350166	HD BRG SCRAPER WELD - FRONT
	350167	HD BRG SCRAPER WELD - REAR
6	89454	U-CLAMP - 3/4" X 3" X 5"
7	88130	3/4" LOCKWASHER
8	88110	3/4"NC HEX NUT

Standard Scraper

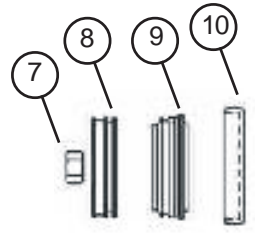
ITEM	PART NO.	DESCRIPTION
	350157	COMPLETE SCRAPER - FRONT
	350158	COMPLETE SCRAPER REAR
1	88104	NUT - 1/2"
2	105414	STD SCRAPER BLADE
3	88475	BOLT - 1/2" X 1-1/2"
4	106807	STD SCRAPER ARM
5	89454	U-CLAMP - 3/4" X 3" X 5"
6	88130	3/4" LOCKWASHER
7	88110	3/4"NC HEX NUT
8	88303	1/2" LOCKWASHER



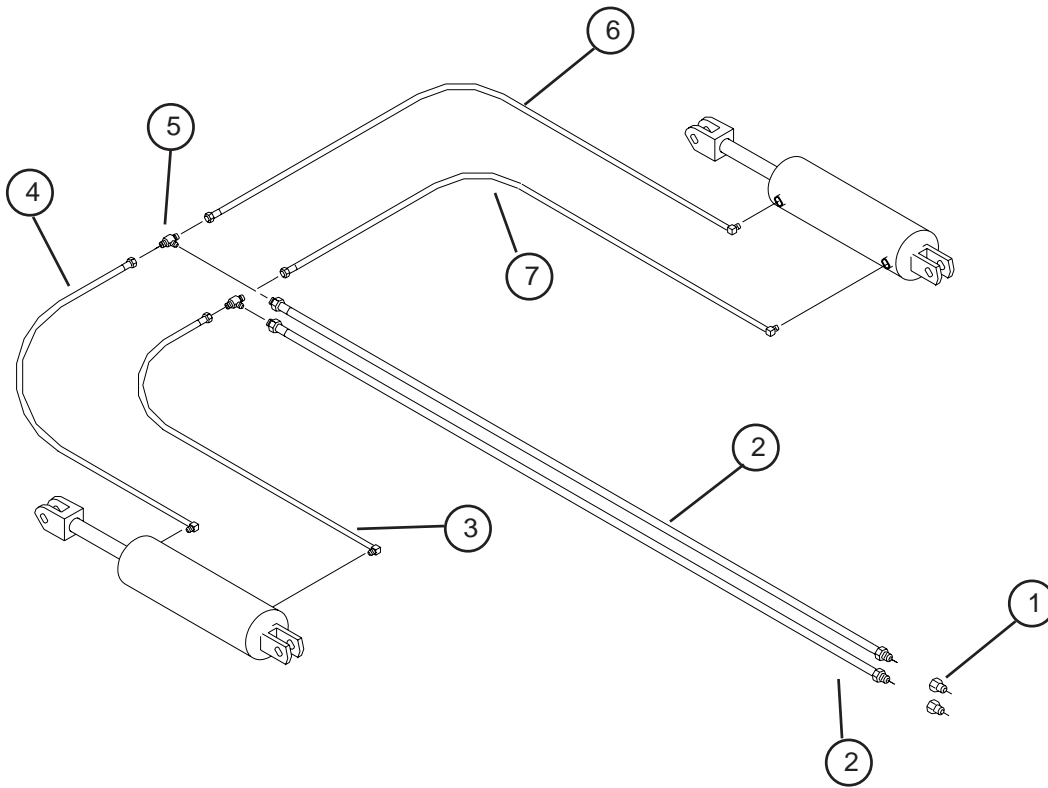
4-1/2 X 12 CYLINDER



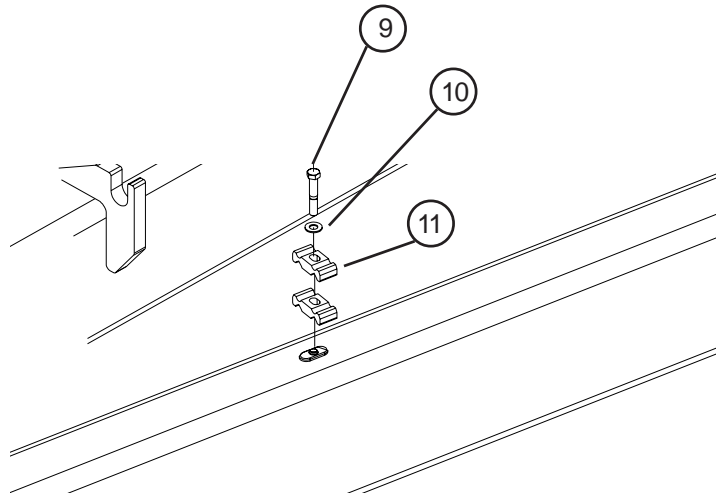
ITEM	PART NO.	DESCRIPTION
1	104941	COMPLETE CYLINDER 4-1/2" X 12"
2	108614	PISTON ROD - PRINCE
3	88541	BOLT - 1/2"NC X 3"
4	104654	CYL PIN - 1-1/2" X 4-1/4"
5	88661	LOCKNUT 1/2"NC
6	108338	SEAL KIT - 4-1/2" PHASING
7	108613	SHAFT LOCK NUT - 1-1/4-12NF
8	108610	4-1/2" PISTON
9	108611	4-1/2" HEADGLAND
10	108612	4-1/2" CYLINDER ENDCAP



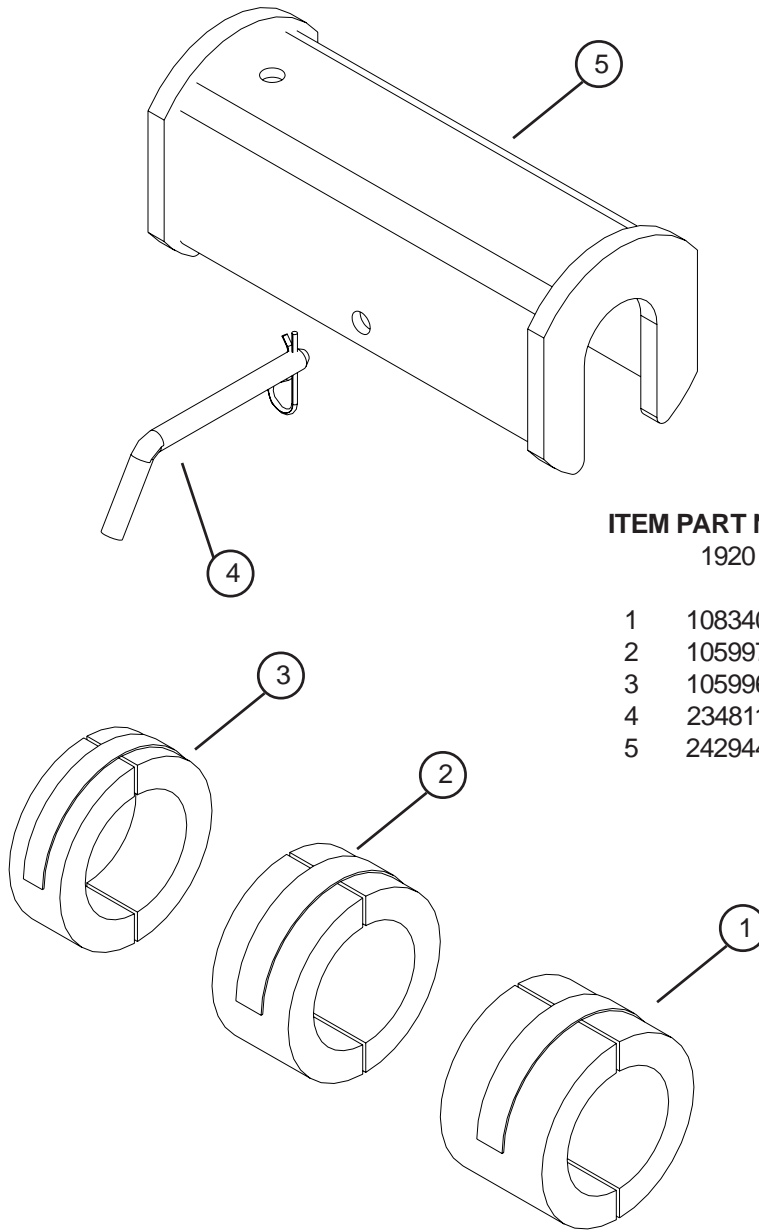
HYDRAULICS - HOSE



ITEM	PART NO.	DESCRIPTION
1	60640	QUICK DISCONNECT COUPLER
2	352972	220" HOSE 6FJX-8MP
3	350864	60" HOSE 6FJX-6FJX
4	352274	70" HOSE 6FJX-6FJX
5	64346	TEE 6MJ (3)
6	350863	36" HOSE 6FJX-6FJX
7	243775	20" HOSE 6FJX-6FJX
8	24104	ELBOW MORB X 6MJ
9	88555	3/8 X 1-1/4 BOLT
10	88282	3/8 LOCK WASHER
11	105784	HOSE CLAMP

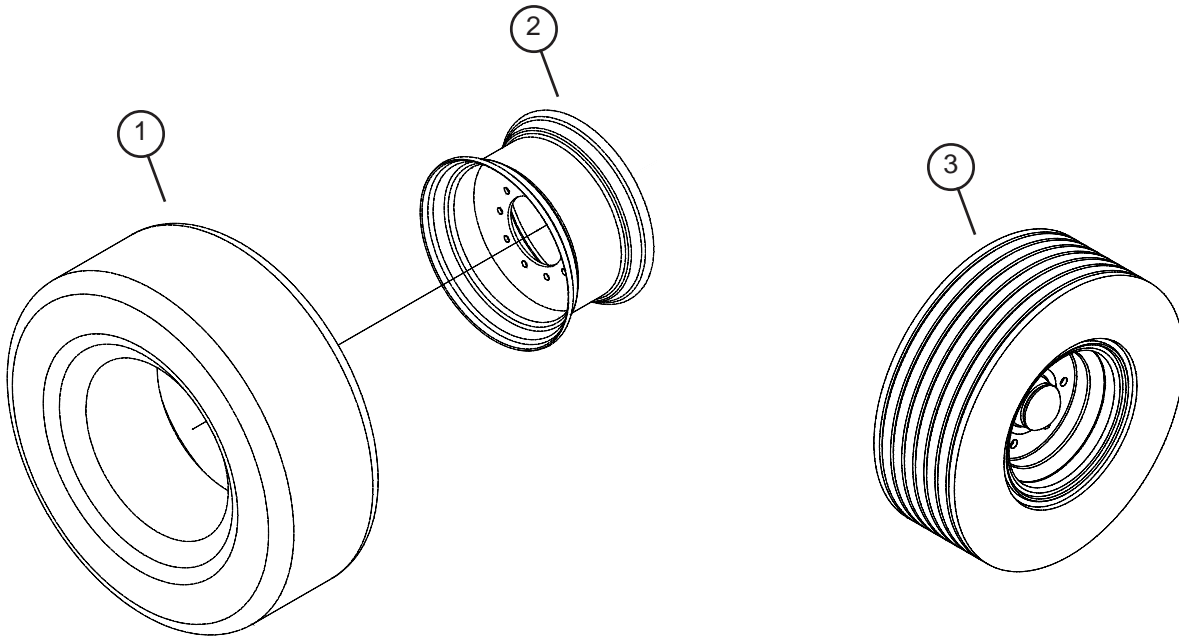


DEPTH CONTROL AND TRANSPORT LOCKS



ITEM	PART NO.	DESCRIPTION
	1920	COMPLETE DEPTH SPACER KIT INCLUDES ITEMS 1-3
1	108340	2" DEPTH CONTROL SEGMENT
2	105997	1-1/2" DEPTH CONTROL SEGMENT
3	105996	1" DEPTH CONTROL SEGMENT
4	234811	PIN - 1/2" X 4-3/4"
5	242944	TRANSPORT LOCK

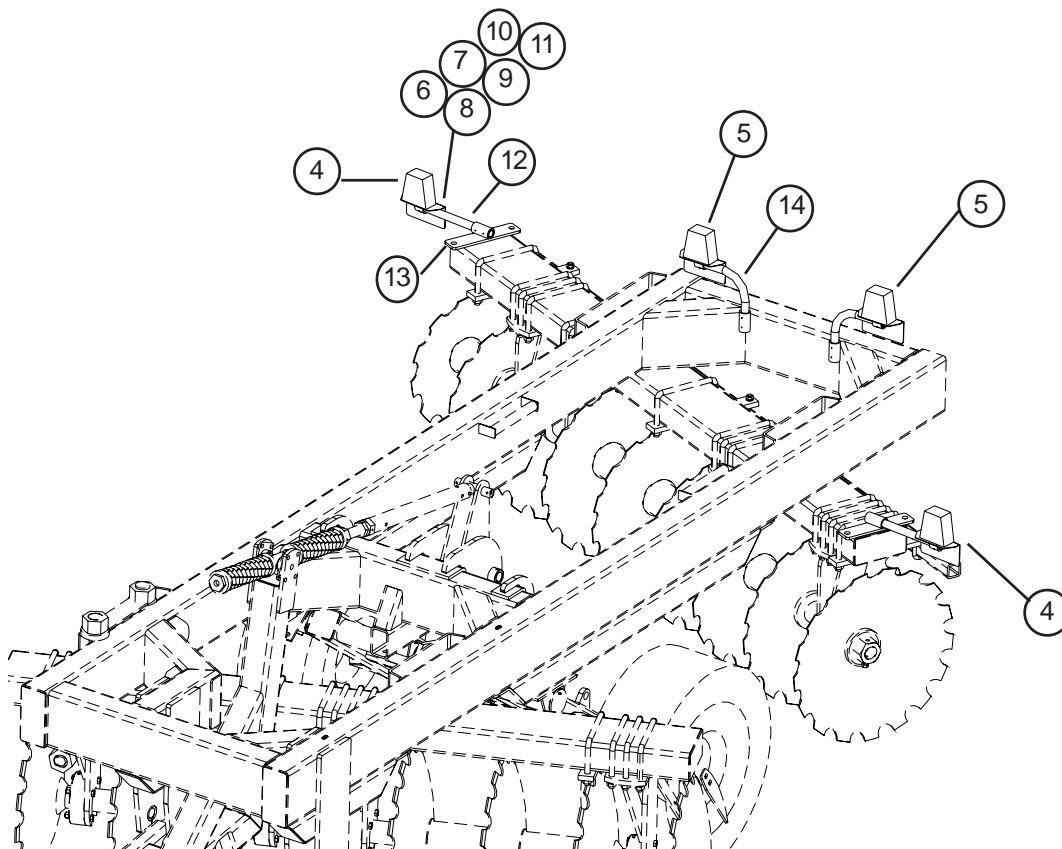
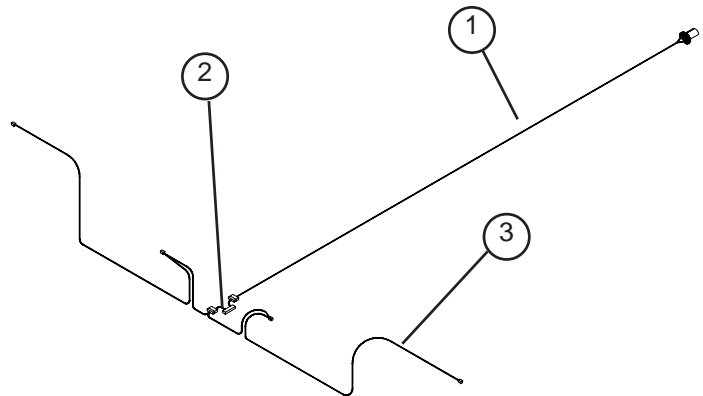
RIMS AND TIRES



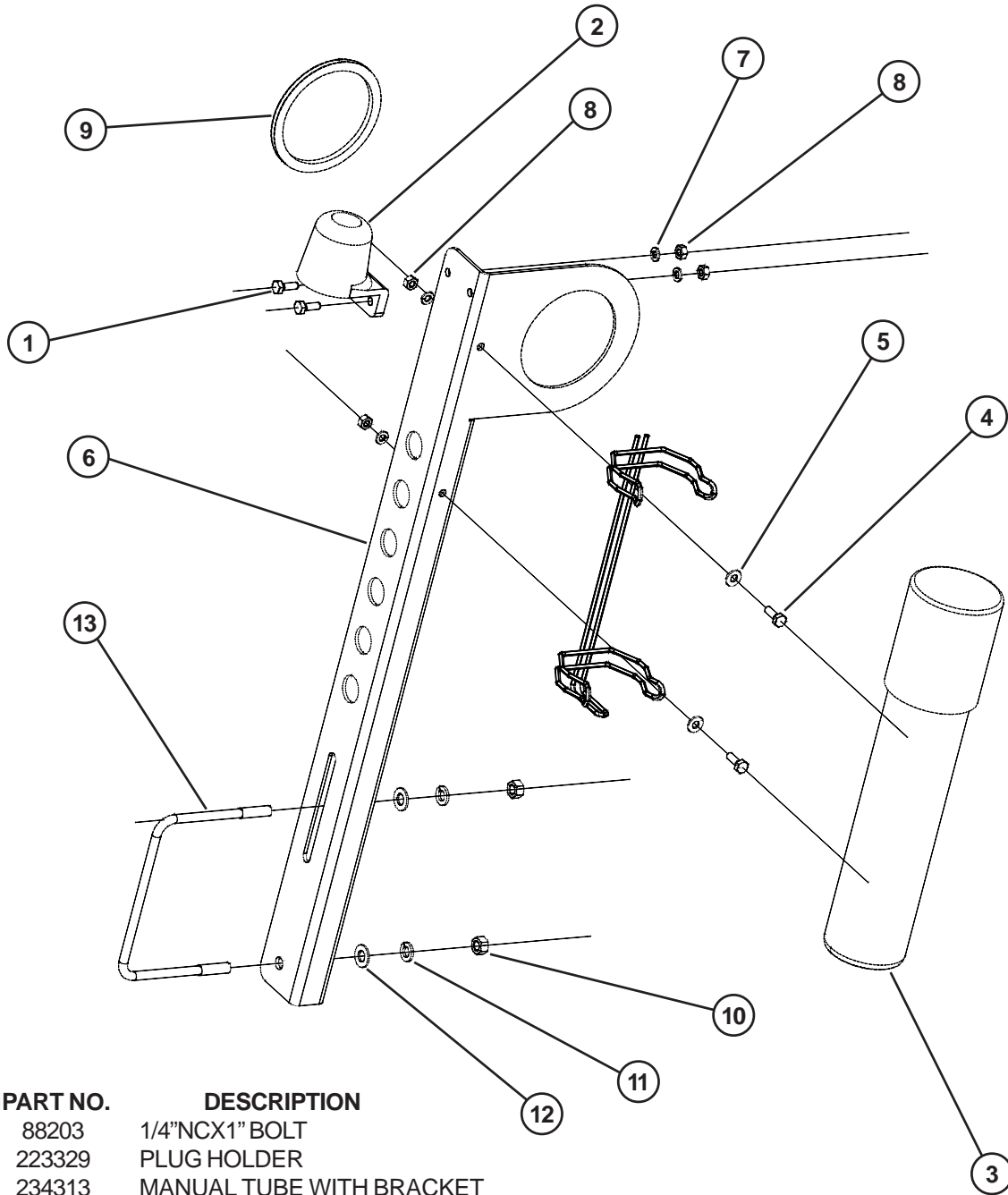
ITEM	PART NO.	DESCRIPTION
1	106013	385/65R22.5" TIRE
2	107238	RIM - 11.75" X 22.5" X 10HOLE (385/65R22.5) (SILVER)
3	107239	ASSY -10 BOLT RIM W/385/65R22.5 TIRE (SILVER)

LIGHT KIT

ITEM	PART NO.	DESCRIPTION
1	64597	35FT HARNESS
2	223145	AG MODULE
3	223146	WISHBONE 4 LEAD
4	223143	AMBER LIGHT
5	223144	RED LIGHT
6	223126	LIGHT BRACKET
7	88203	BOLT - 1/4" X 1"
8	88262	1/4" LOCK WASHER
9	88172	1/4" HEX NUT
10	88702	SET SCREW - 3/8" X 1"
11	88103	3/8" HEX NUT
12	108721	LIGHT ARM - 18IN
13	108723	LIGHT ARM BASE WELD
	105260	12X8-1/2X 1IN U-BOLT
	88617	1" LOCK WASHER
	88125	1" HEX NUT
14	108527	10X19 LIGHT ARM

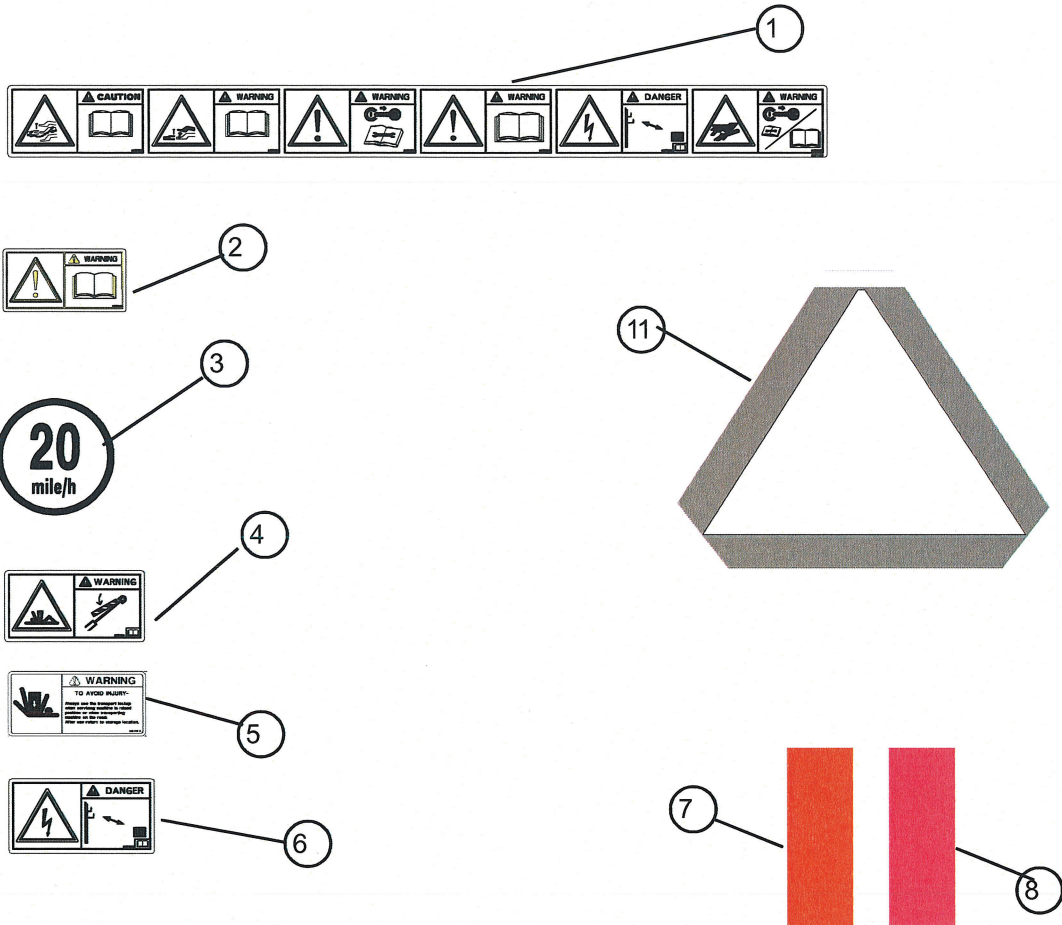


UTILITY POLE



ITEM	PART NO.	DESCRIPTION
1	88203	1/4"NCX1" BOLT
2	223329	PLUG HOLDER
3	234313	MANUAL TUBE WITH BRACKET
4	88993	1/4"NCX3/4" BOLT
5	88261	1/4" FLAT WASHER
6	236142	HYD HOSE BRACKET
7	88262	1/4" LOCK WASHER
8	88172	1/4"NC HEX NUT
9	236092	RUBBER EDGE
10	88103	3/8"NC HEX NUT
11	88362	3/8" LOCK WASHER
12	88282	3/8" FLAT WASHER
13	89406	3/8"NCX6"X 5" U-BOLT

DECALS



ITEM	PART NO	DESCRIPTION
1	9971163	DECAL SAFETY SET
2	997860	DECAL READ MANUAL WARNING
3	9971018	DECAL SPEED SIGN 20 MILE/HR
4	997864	DECAL LOCKOUT WARNING
5	360942	DECAL-WARNING
6	997862	DECAL HIGH VOLTAGE DANGER
7	223118	ORANGE FLUORESCENT DECAL
8	22371	RED REFLECTOR
11	41345	SMV SIGN
	W109488	SMV MOUNTING SPADE