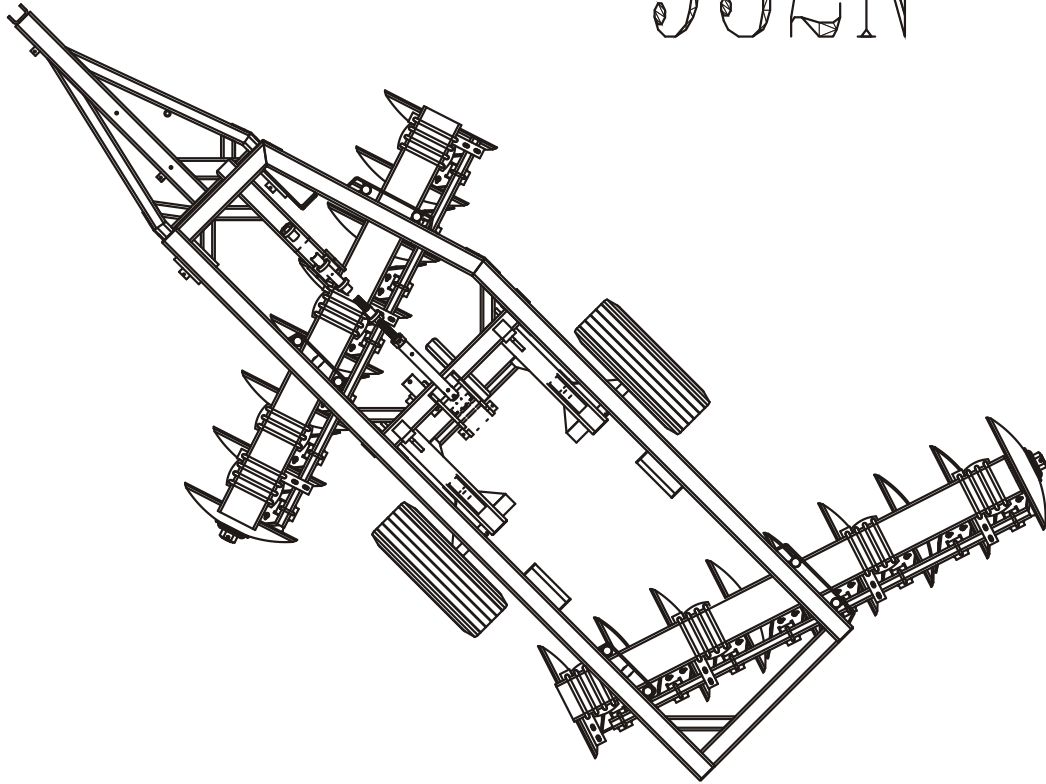


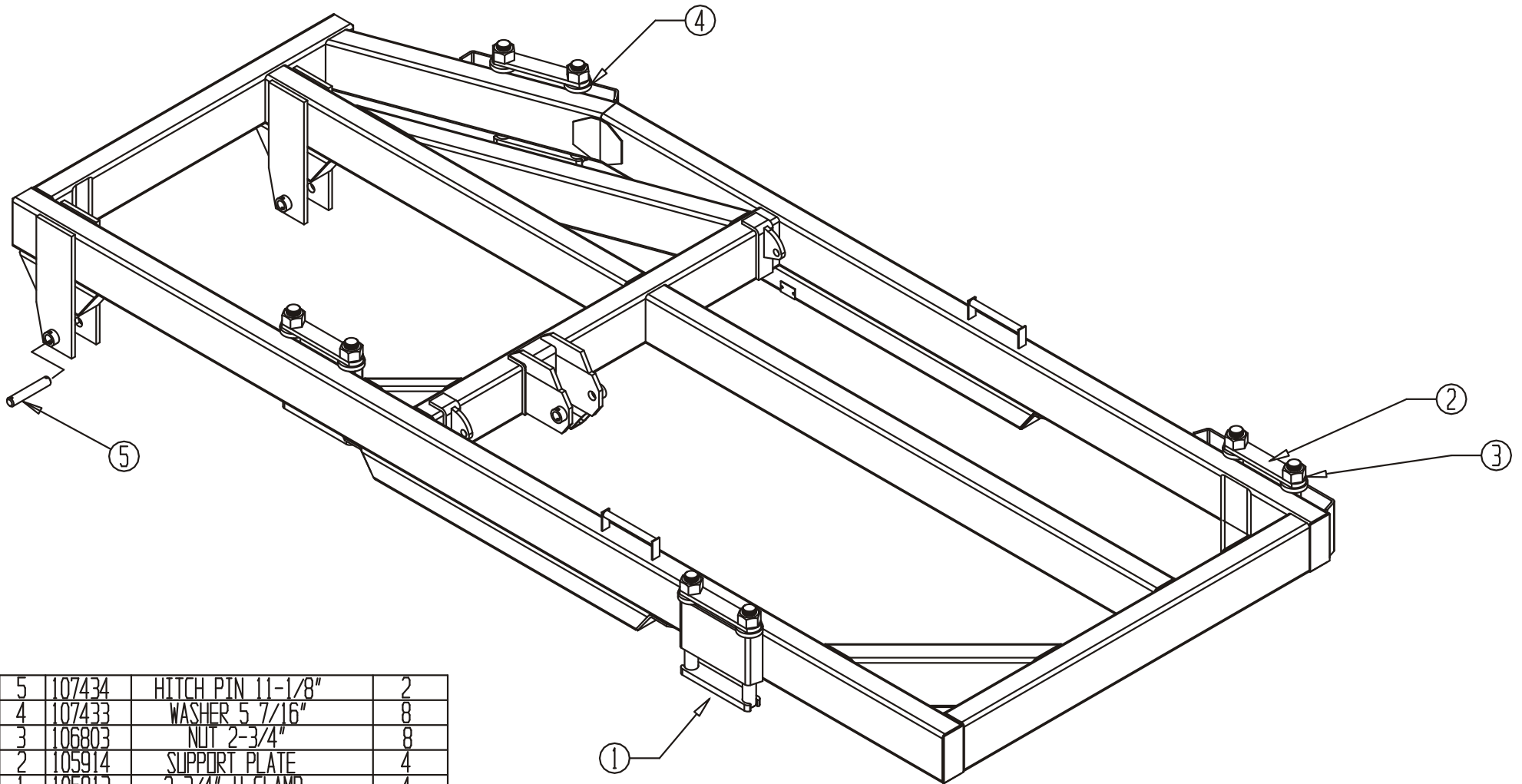
# WISHEK PARTS BOOK

932N - Y2000

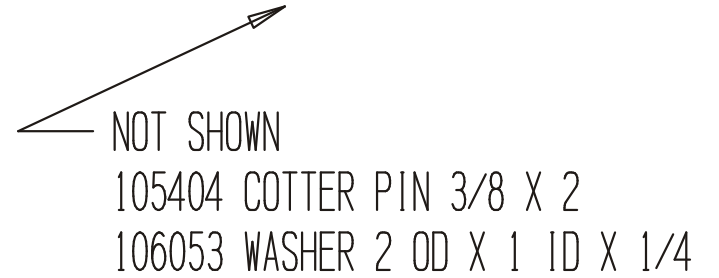
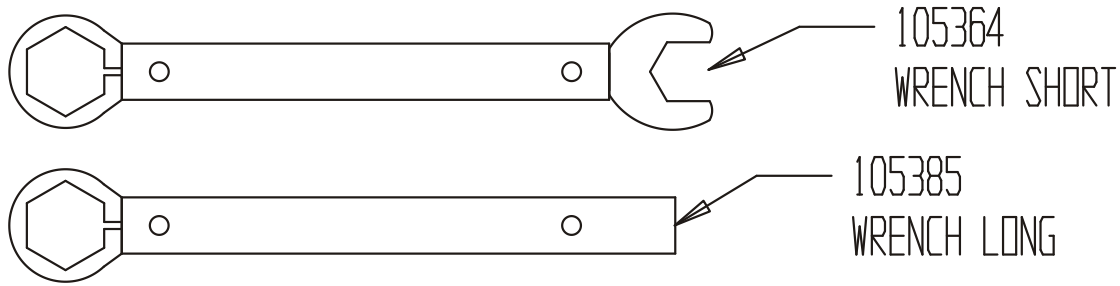
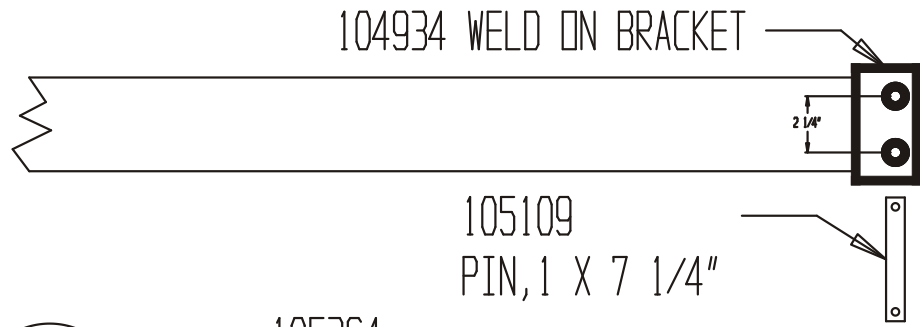
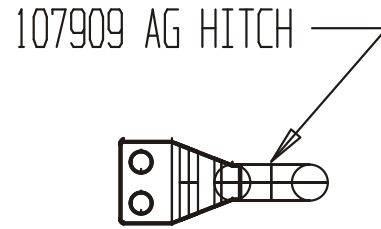
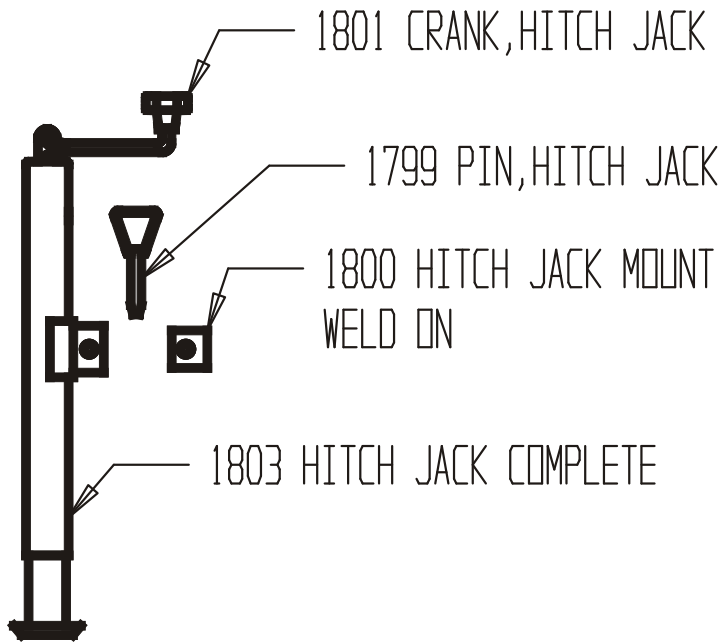


WISHEK MFG. LLC  
112 SOUTH SECOND STREET  
PO BOX 185  
WISHEK, ND 58495-0185  
PHONE 701-452-2449  
FAX 701 452 4292

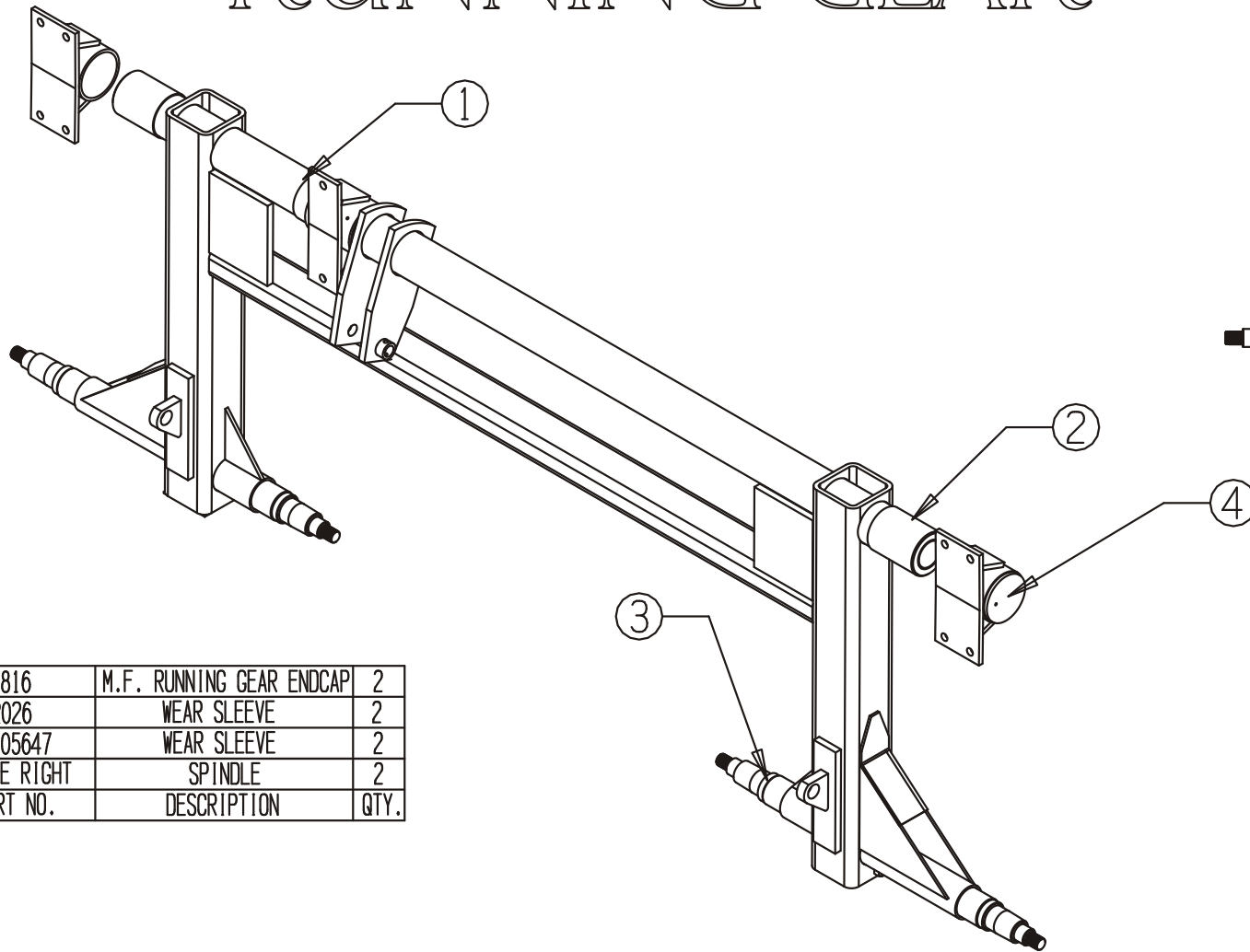
# GENERAL MAIN FRAME



5	107434	HITCH PIN 11-1/8"	2
4	107433	WASHER 5 7/16"	8
3	106803	NUT 2-3/4"	8
2	105914	SUPPORT PLATE	4
1	105913	2-3/4" U-CLAMP	4
ITEM	PART NO.	DESCRIPTION	QTY.



# RUNNING GEAR



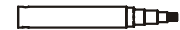
## SPINDLES



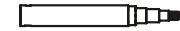
106159-10 BOLT  
50" MODEL 932N 22' - 26'  
MODEL Y2000 16' - 19-1/2'



106992-8 BOLT  
45" MODEL 932N 14' - 16'

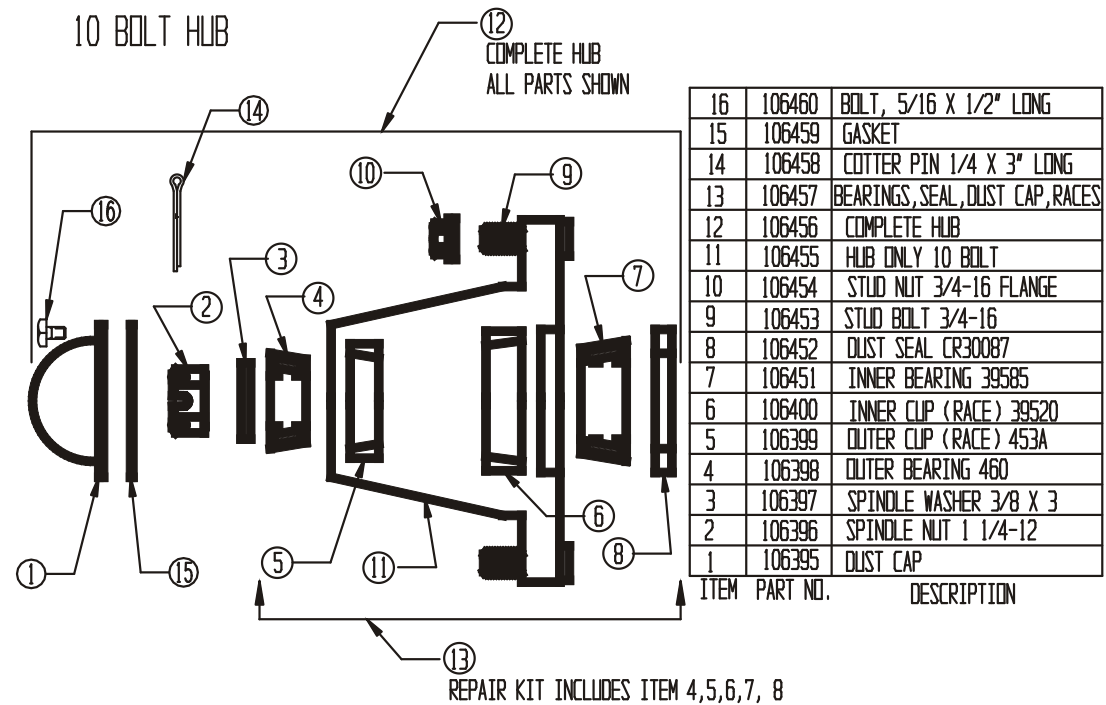
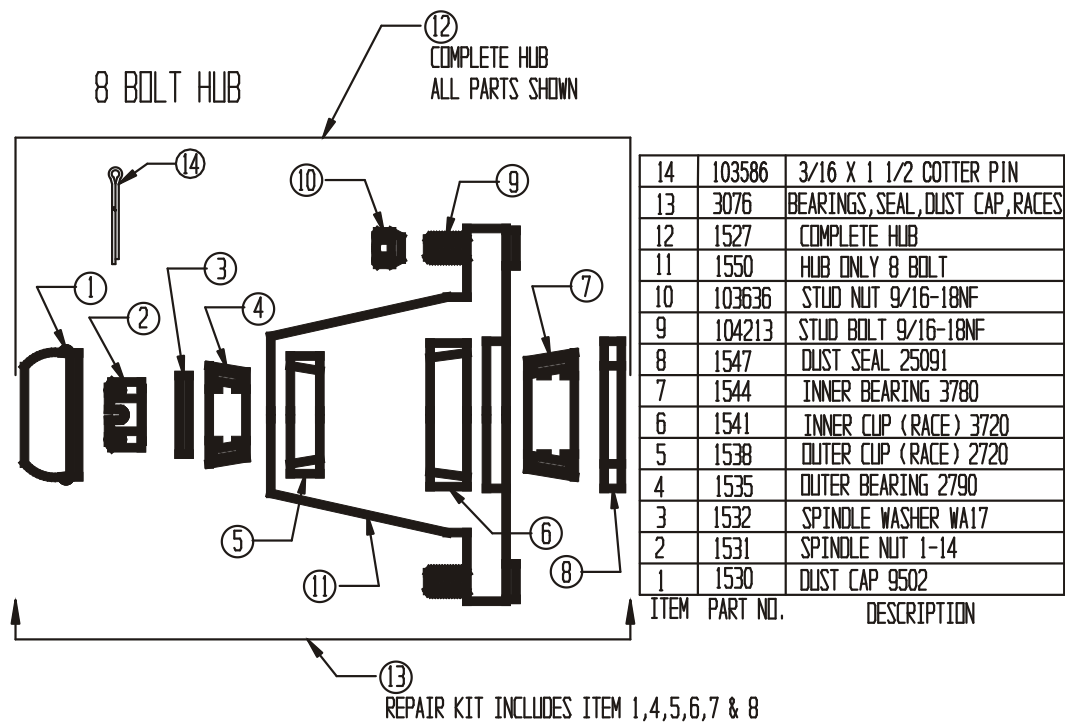


106839-10 BOLT  
40" MODEL Y2000 12'

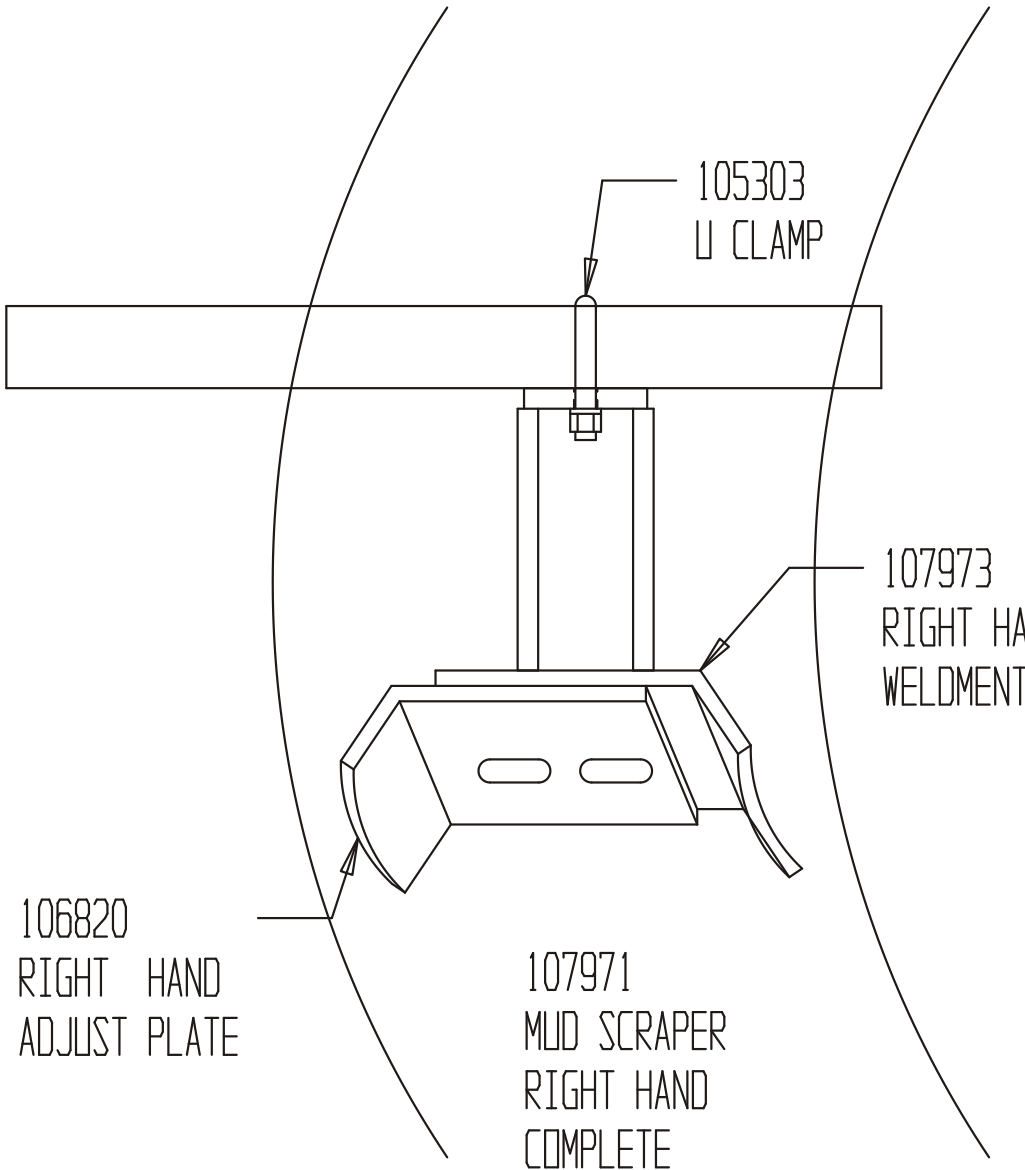
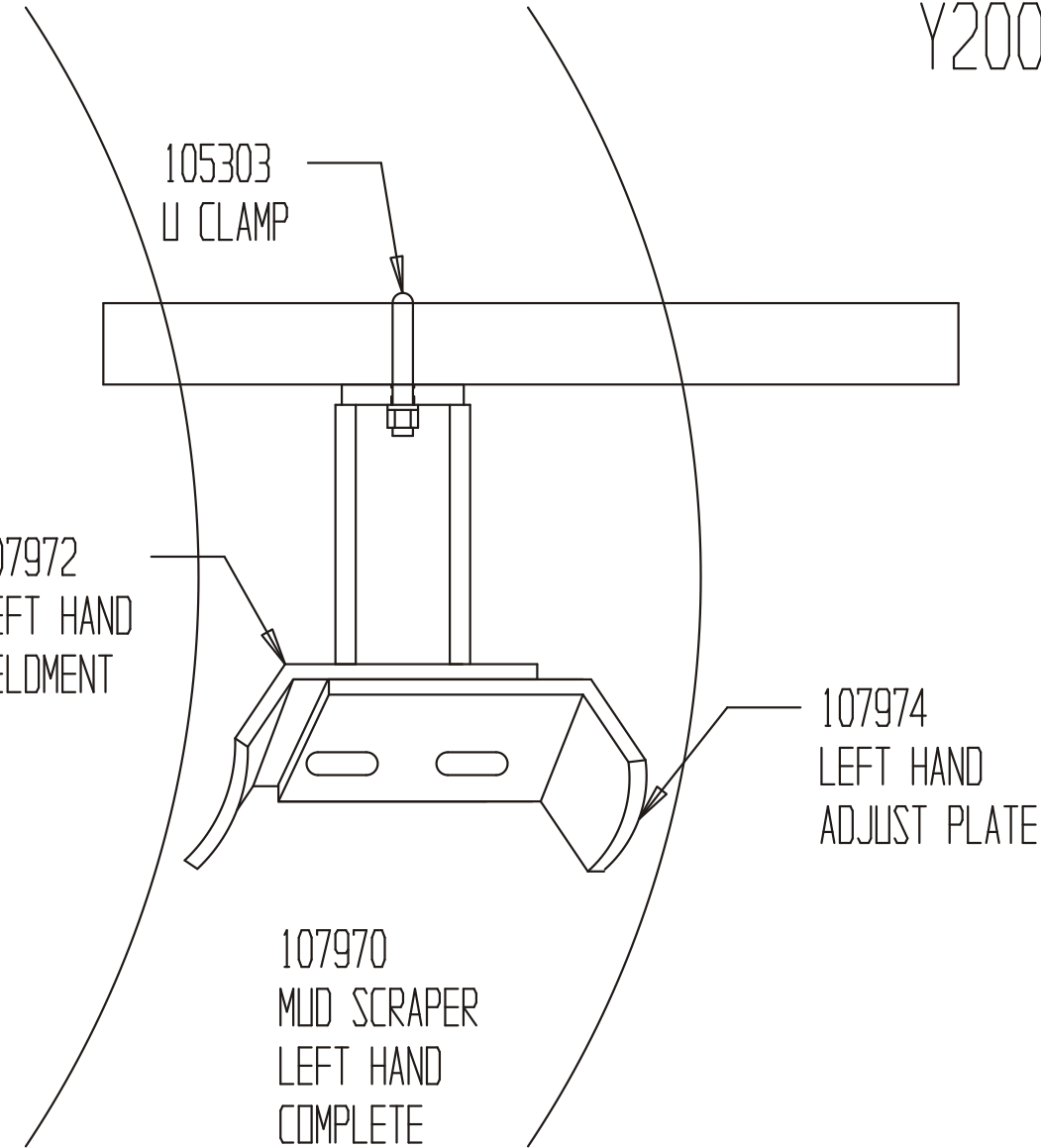


106840-10 BOLT  
34" MODEL Y2000 12'

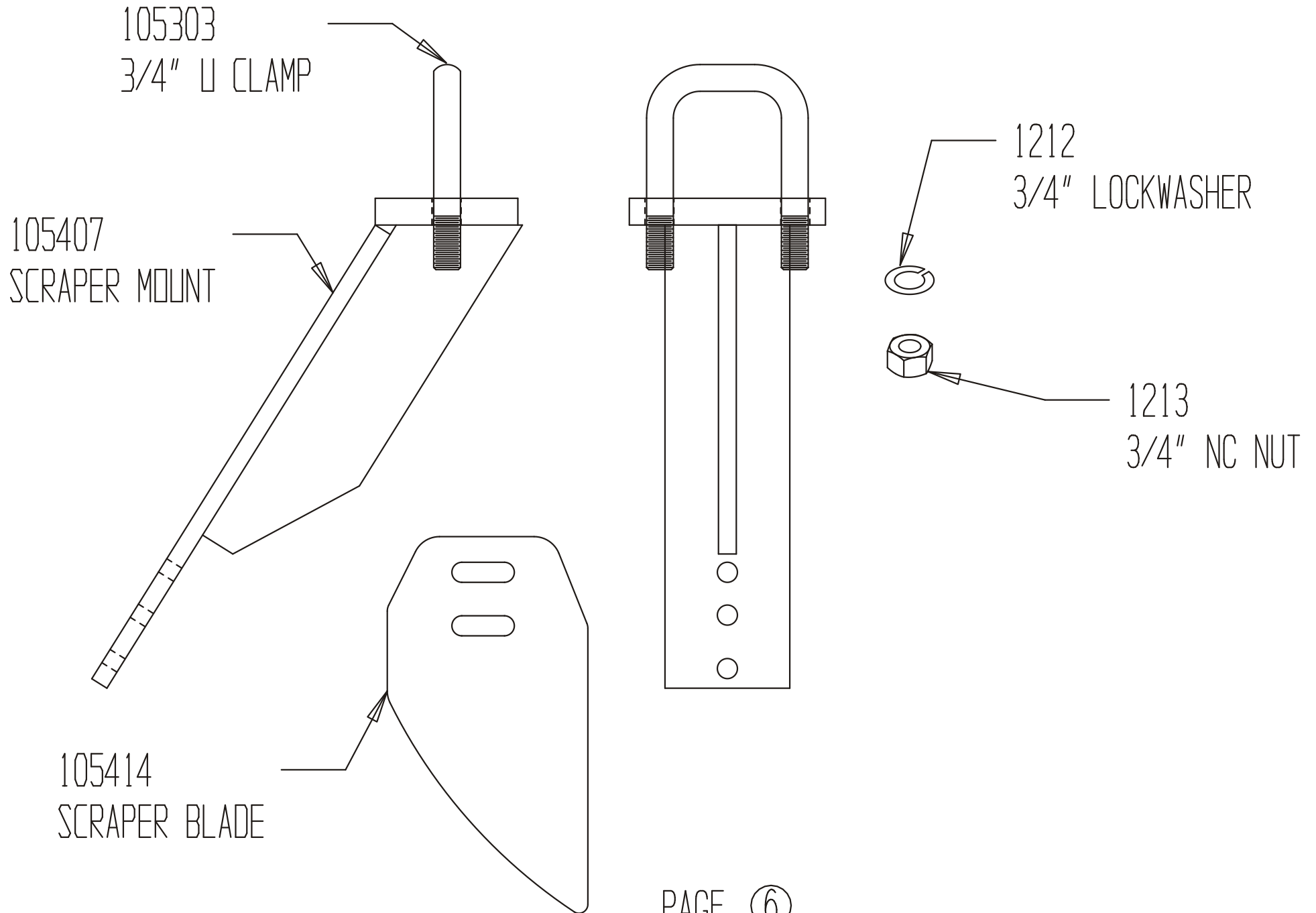
4	1816	M.F. RUNNING GEAR ENDCAP	2
2	2026	WEAR SLEEVE	2
1	105647	WEAR SLEEVE	2
3	SEE RIGHT	SPINDLE	2
ITEM	PART NO.	DESCRIPTION	QTY.



18" SPACING  
Y2000

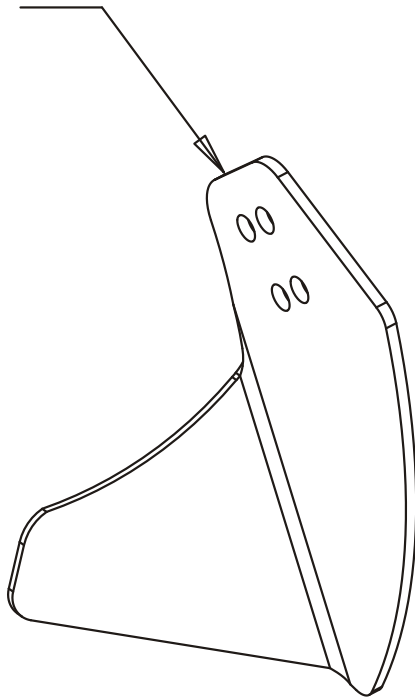


# STANDARD SCRAPERS

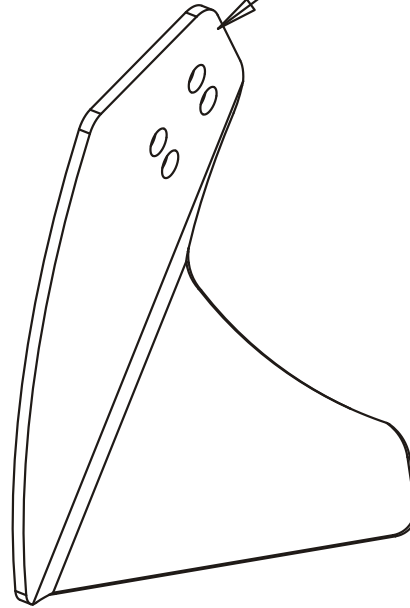


# SPOOL SCRAPERS

107968  
SPOOL SCRAPER  
LEFT HAND

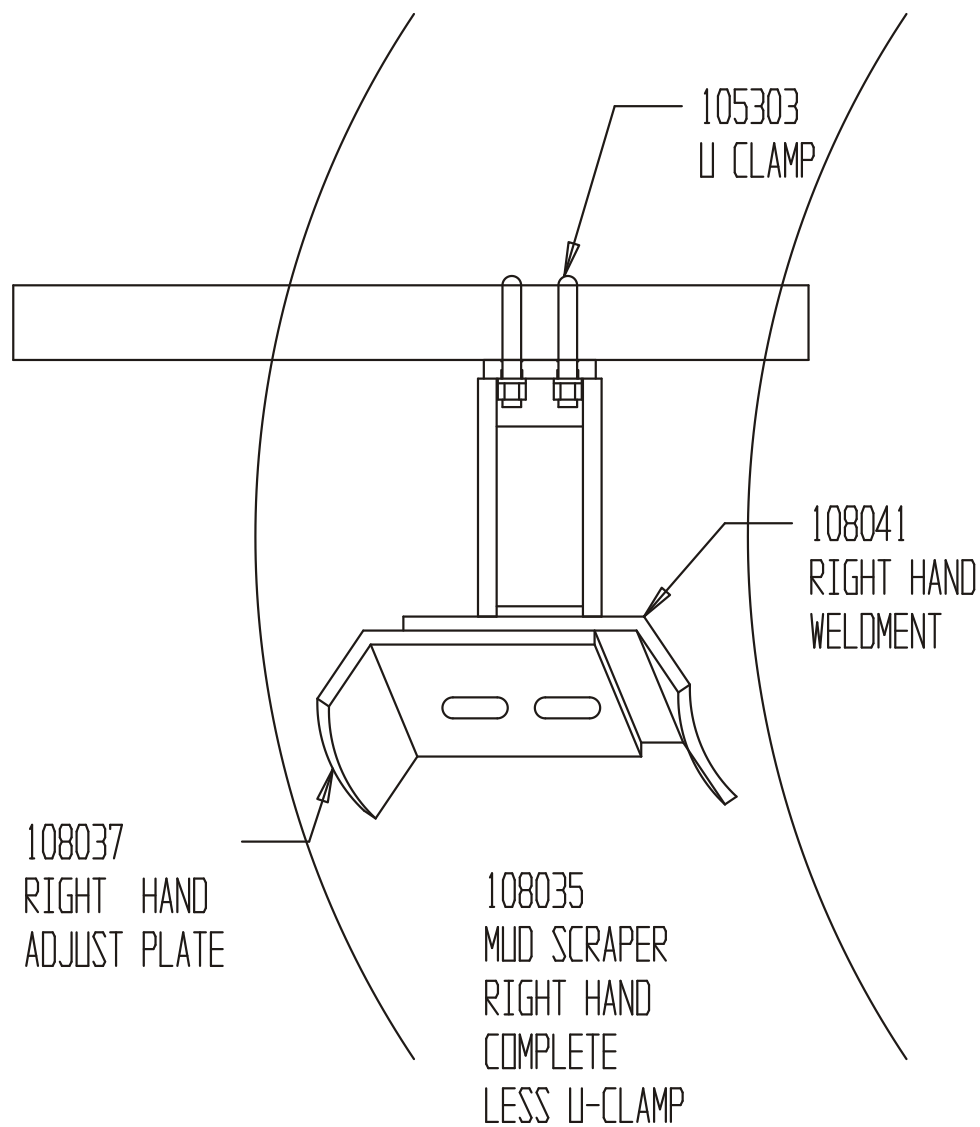
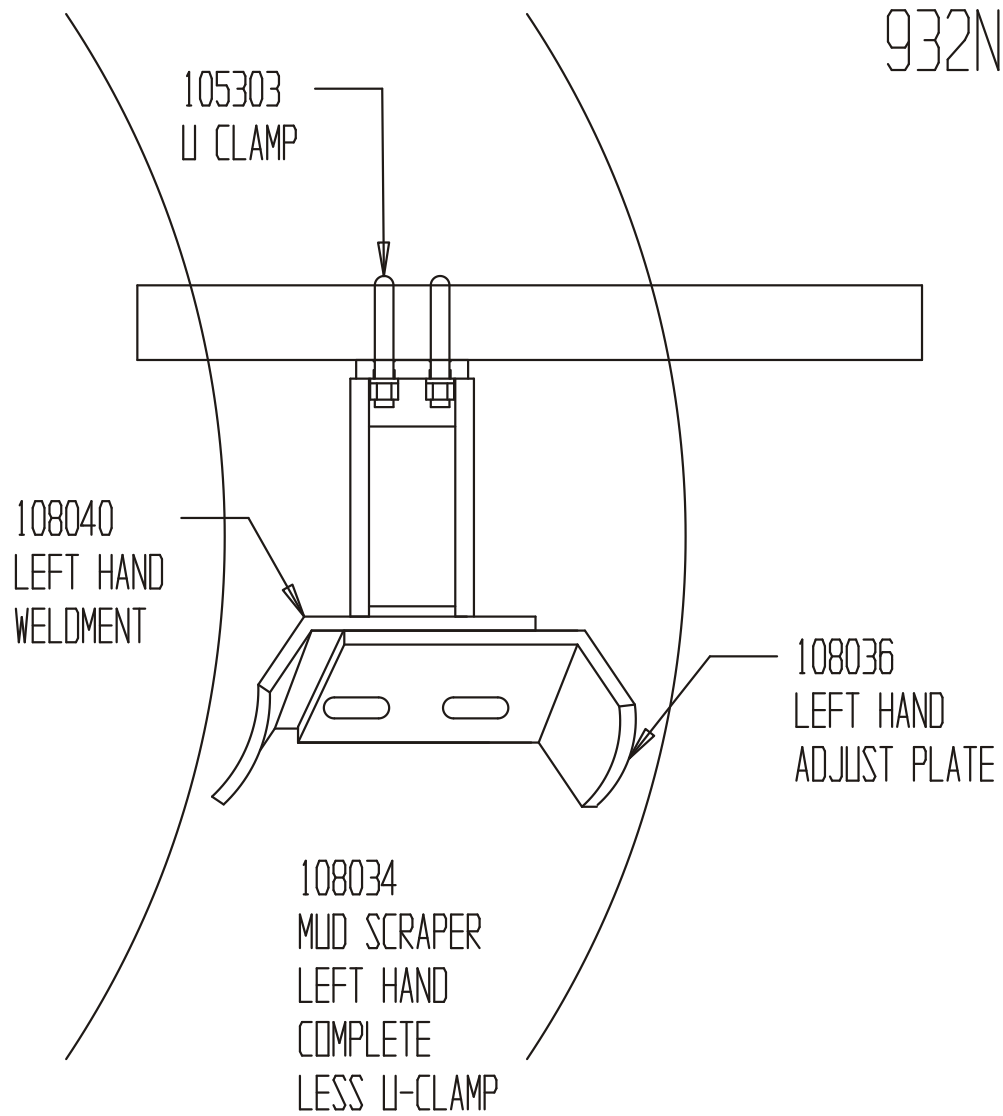


107969  
SPOOL SCRAPER  
RIGHT HAND



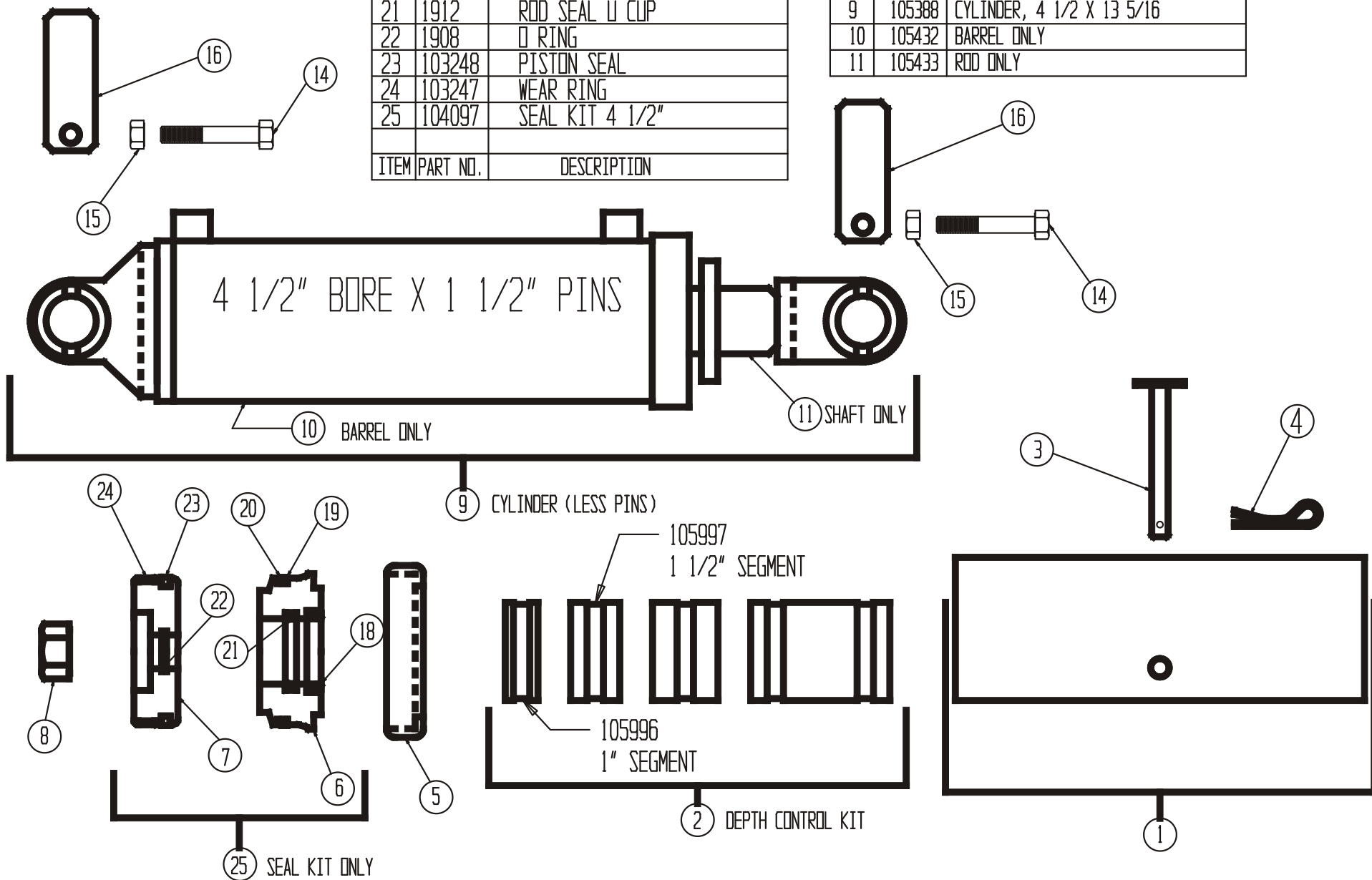


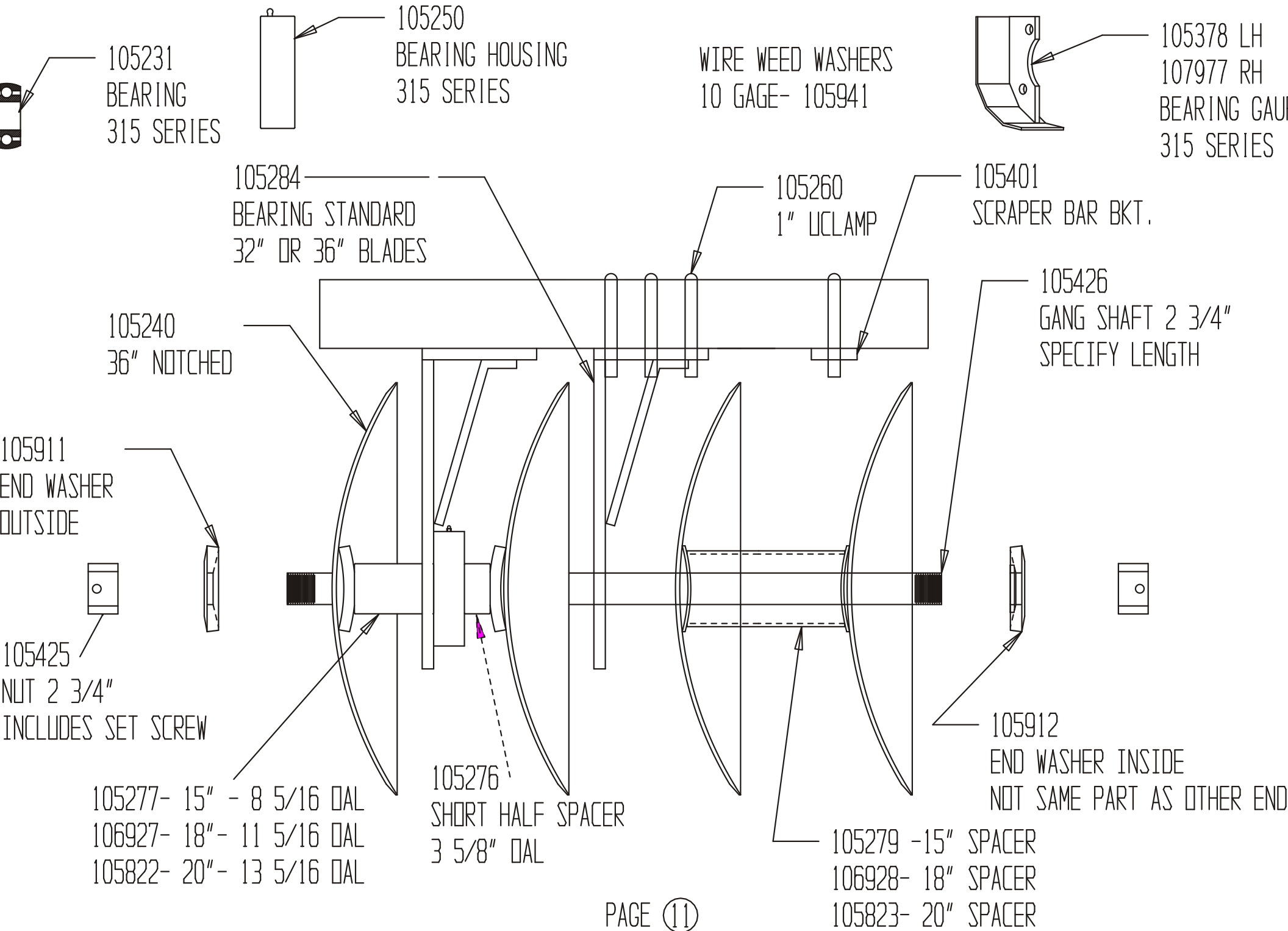
13" SPACING  
932N



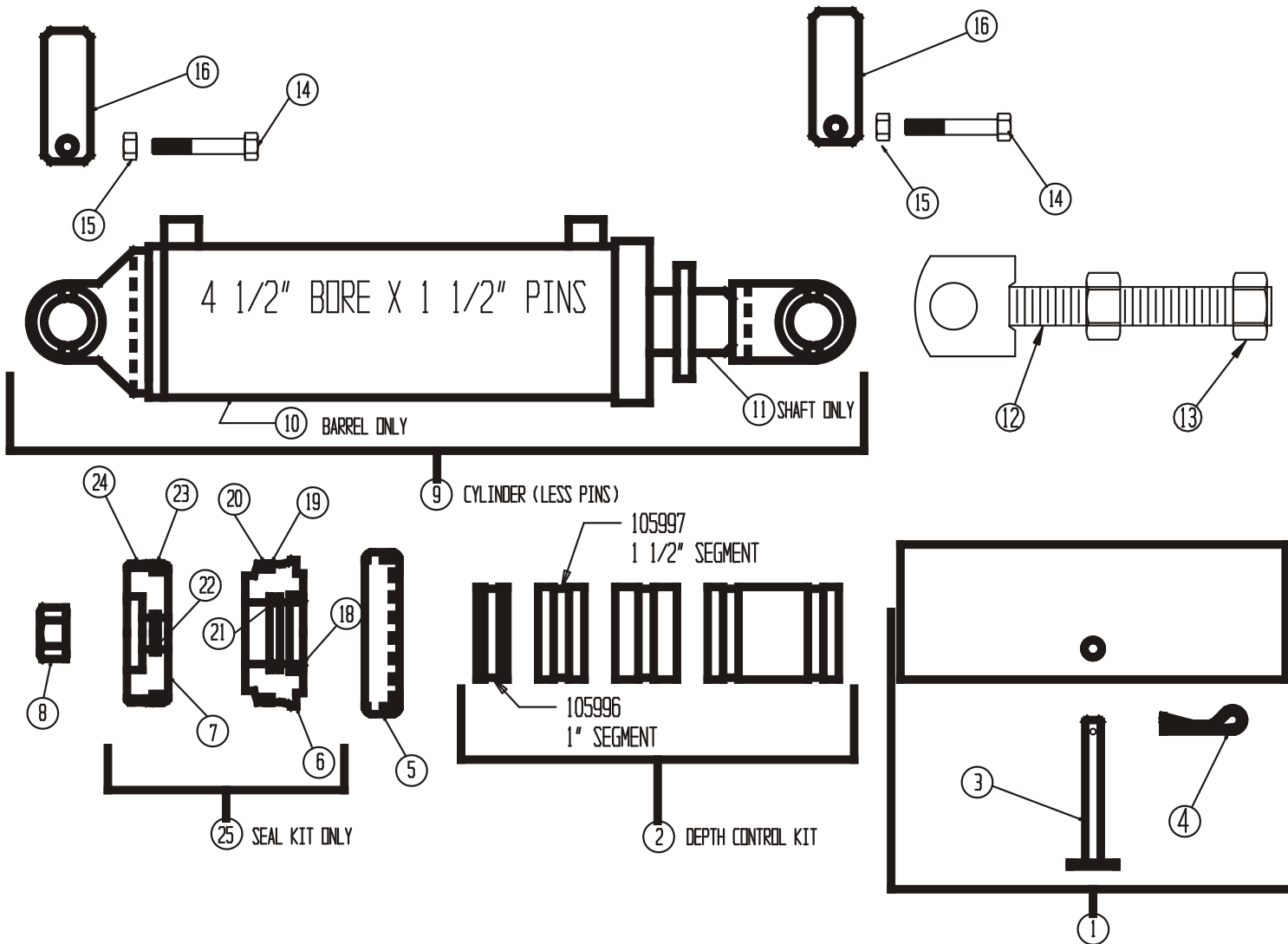
14	104947	BOLT, 1/2 X 3"
15	104946	NUT, 1/2" TOP LOCK
16	104654	PIN, 1 1/2 X 4 1/4"
18	103225	ROD WIPER
19	103250	BACK LIP RING
20	103249	O RING
21	1912	ROD SEAL U CLIP
22	1908	O RING
23	103248	PISTON SEAL
24	103247	WEAR RING
25	104097	SEAL KIT 4 1/2"
ITEM	PART NO.	DESCRIPTION

1	1978	TRANSPORT LOCKUP BRACKET, PIN & CLIP
2	1920	DEPTH CONTROL KIT, FOUR SEGMENTS
3	1979	PIN, 1/2 X 4 3/4"
4	1980	HAIR PIN CLIP
5	103255	NUT, CYLINDER TUBE, 4 1/2"
6	103245	HEADGLAND, 4 1/2"
7	103246	PISTON, 4 1/2"
8	1904	LOCK NUT, SHAFT, 1-14
9	105388	CYLINDER, 4 1/2 X 13 5/16
10	105432	BARREL ONLY
11	105433	ROD ONLY





WD30



ITEM	PART NO.	DESCRIPTION
1	1978	TRANSPORT LOCKUP BRACKET, PIN & CLIP
2	1920	DEPTH CONTROL KIT, FOUR SEGMENTS
3	1979	PIN, 1/2 X 4 3/4"
4	1980	HAIR PIN CLIP
5	103255	NUT, CYLINDER TUBE, 4 1/2"
6	103245	HEADGLAND, 4 1/2"
7	103246	PISTON, 4 1/2"
8	1904	LOCK NUT, SHAFT, 1-14
9	105388	CYLINDER, 4 1/2 X 13 5/16
10	104993	BARREL ONLY
11	104992	ROD ONLY 2"
12	104608	LOLLY-POP
13	104728	NUT, 1 1/4"
14	104947	BOLT, 1/2 X 3"
15	104946	NUT, 1/2" TOP LOCK
16	104654	PIN, 1 1/2 X 4 1/4"
18	103225	ROD WIPER
19	103250	BACK UP RING -346
20	103249	O RING -346
21	1912	ROD SEAL U CUP
22	1908	O RING -214
23	103248	PISTON SEAL
24	103247	WEAR RING
25	104097	SEAL KIT 4 1/2" PHASING